

SPARE PARTS SECTION

The following section covers the spare parts diagrams and lists that were current at the time this manual was originally printed. Due to continuous improvements of the machine, changes may be made at any time without notification.

HOW TO ORDER SPARE PARTS

1. Have your machines **Model Number, Serial Number & Date of Manufacture** on hand, these can be found on the specification plate mounted on the machine
2. A scanned copy of your parts list/diagram with required spare part/s identified
3. Go to www.machineryhouse.com.au/contactus and fill out the enquiry form attaching a copy of scanned parts list.

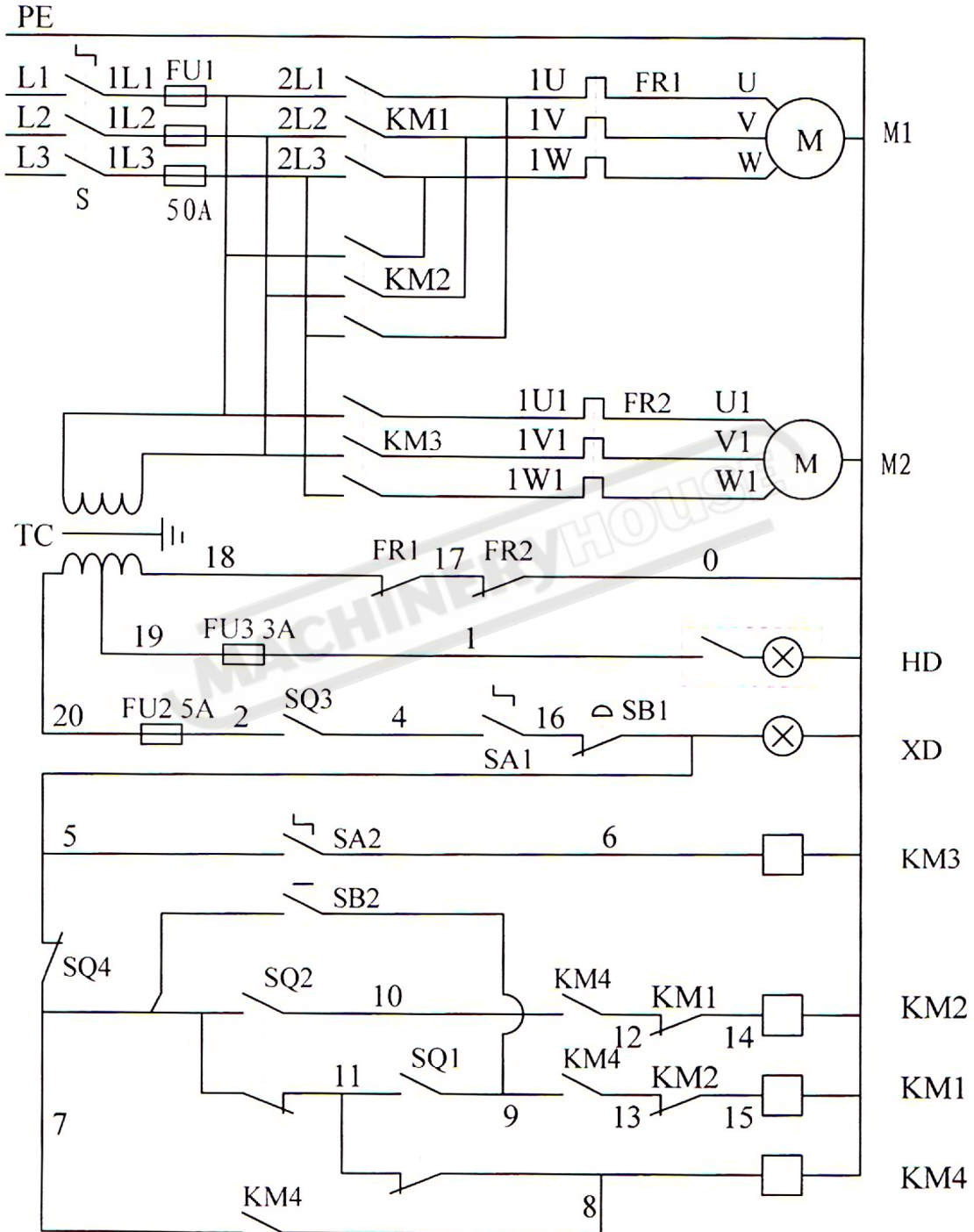
CONTENTS

Electrical Diagrams.....	42
CL-560 Headstock Parts Diagram.....	45
CL-560 Headstock Parts List.....	53
CL-560 Gearbox Parts Diagram.....	60
CL-560 Gearbox Parts List.....	64
CL-560 Saddle Parts Diagram.....	67
CL-560 Saddle Parts List.....	70
CL-560 Apron Parts Diagram.....	73
CL-560 Apron Parts List.....	76
CL-560 Tailstock Parts Diagram.....	80
CL-560 Tailstock Parts List.....	81
CL-560 Bed Assembly Parts Diagram.....	83
CL-560 Bed Assembly Parts List.....	87
CL-560 Fixed Steady Parts Diagram.....	92
CL-560 Fixed Steady Parts List.....	93
CL-560 Follow Rest Parts Diagram.....	94
CL-560 Follow Rest Parts List.....	95
Risk Assessment.....	96



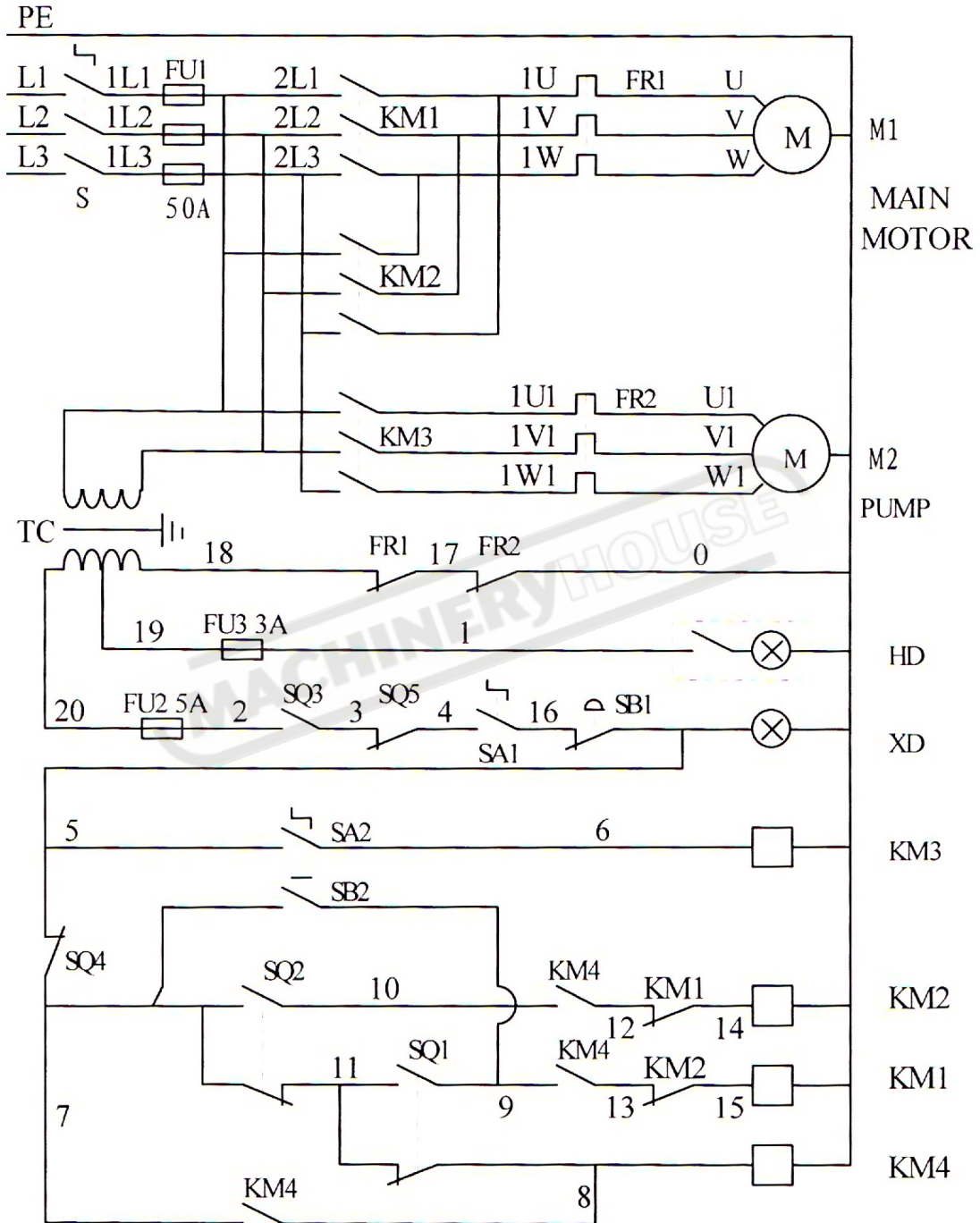
OPERATION MANUAL

A. ELECTRICAL DIAGRAM



OPERATION MANUAL

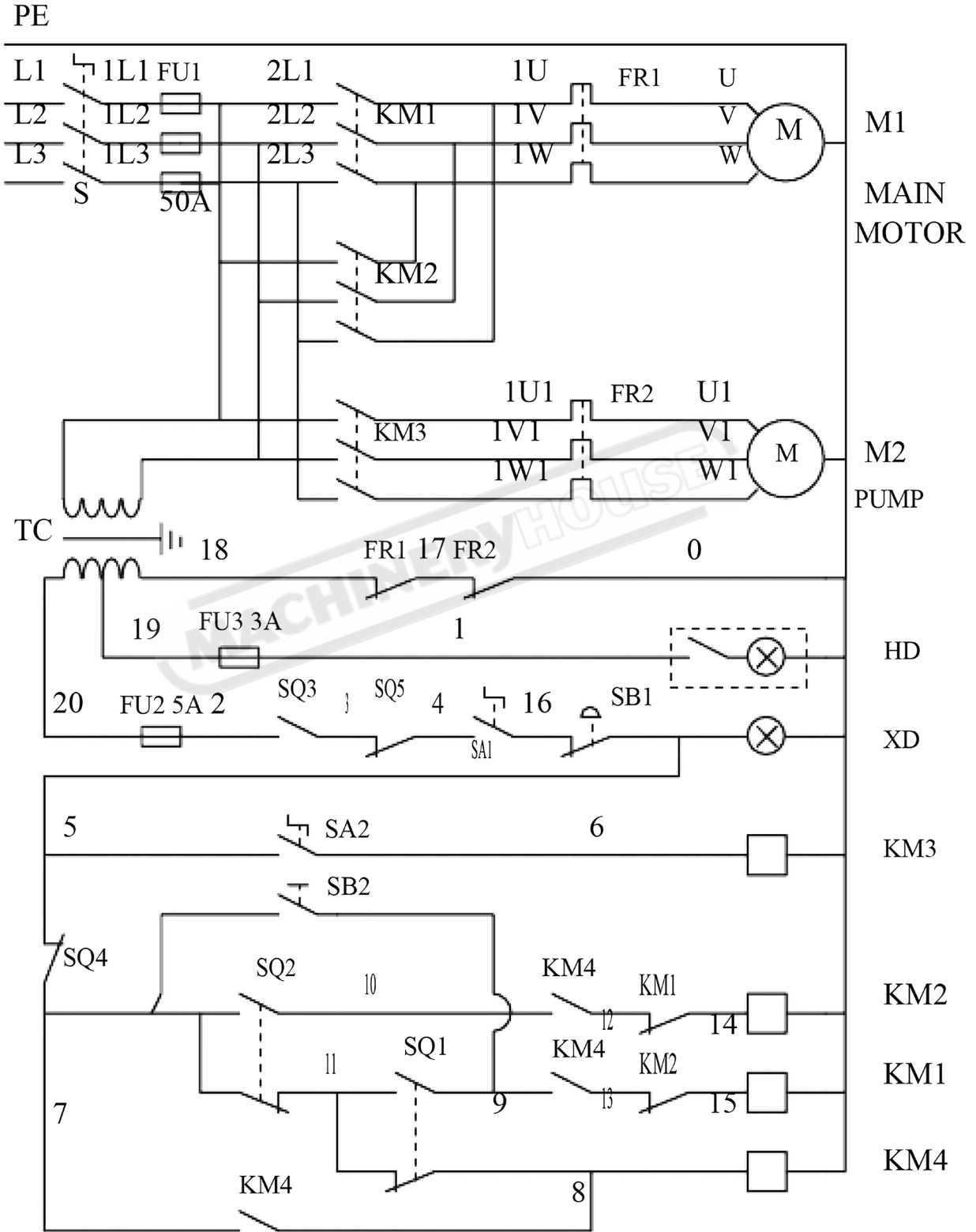
A. ELECTRICAL DIAGRAM Cont.





OPERATION MANUAL

A. ELECTRICAL DIAGRAM Cont.

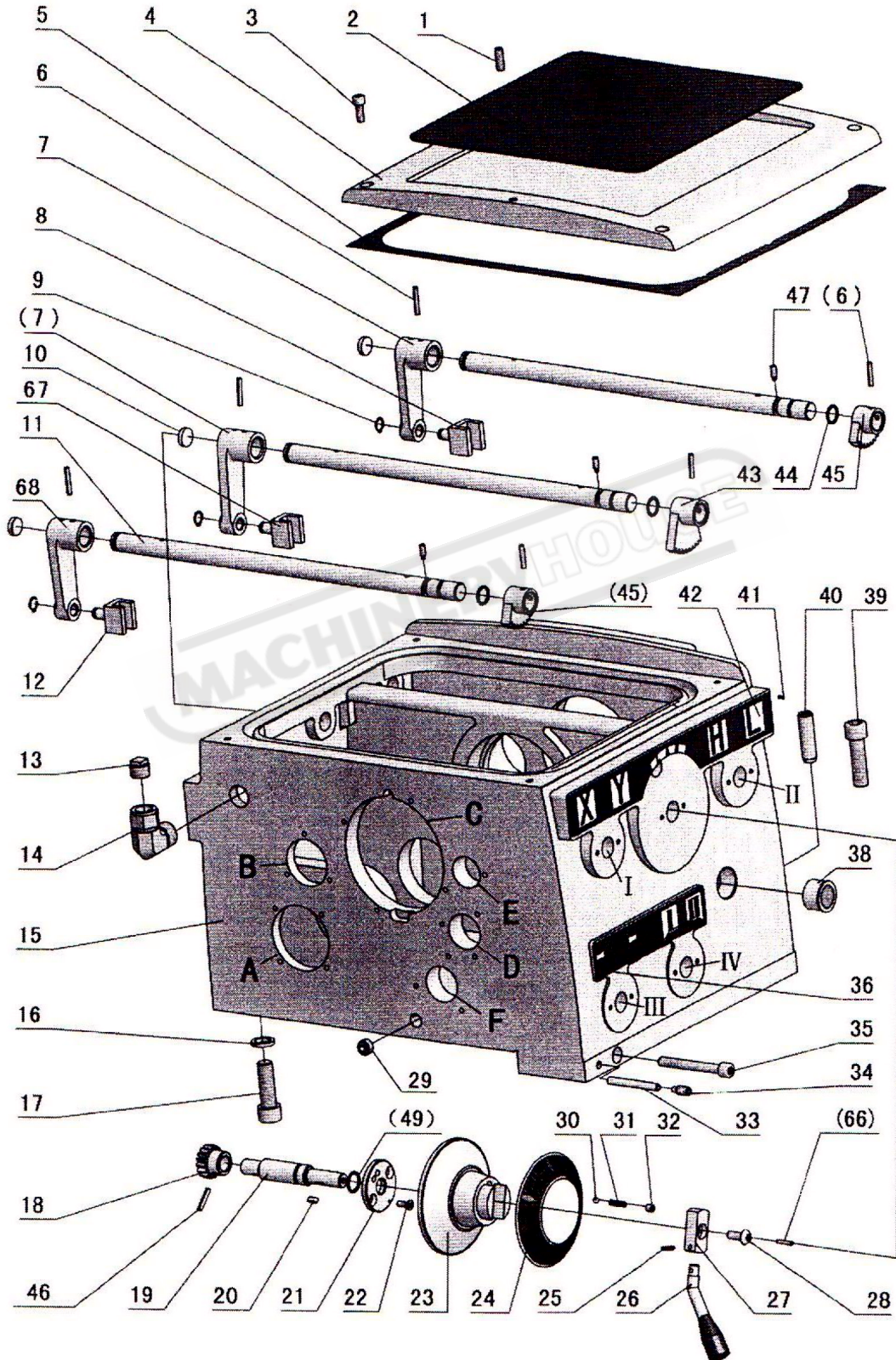


WIRINGDIAGRAM



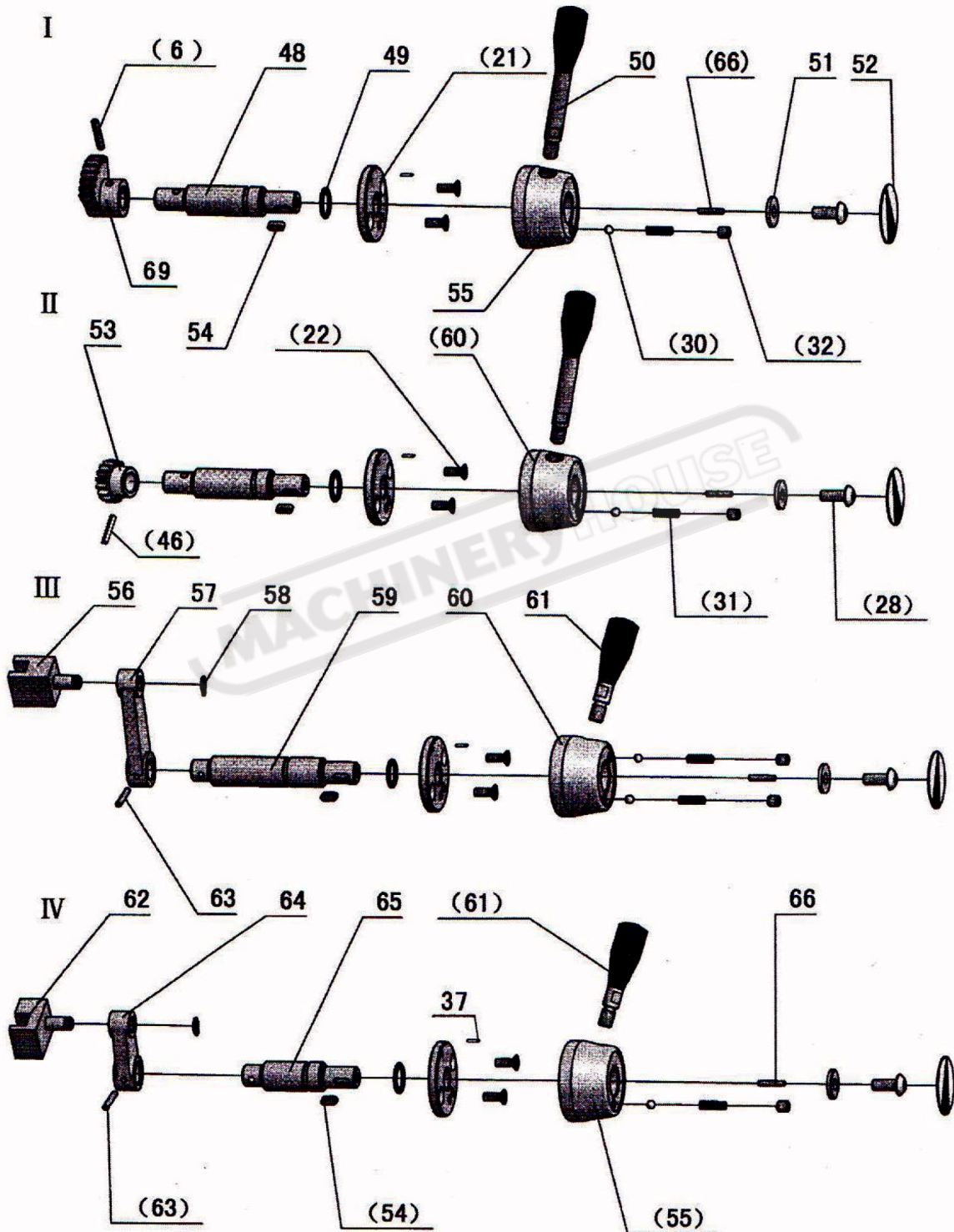
OPERATION MANUAL

CL-560 HEADSTOCK PARTS DIAGRAM



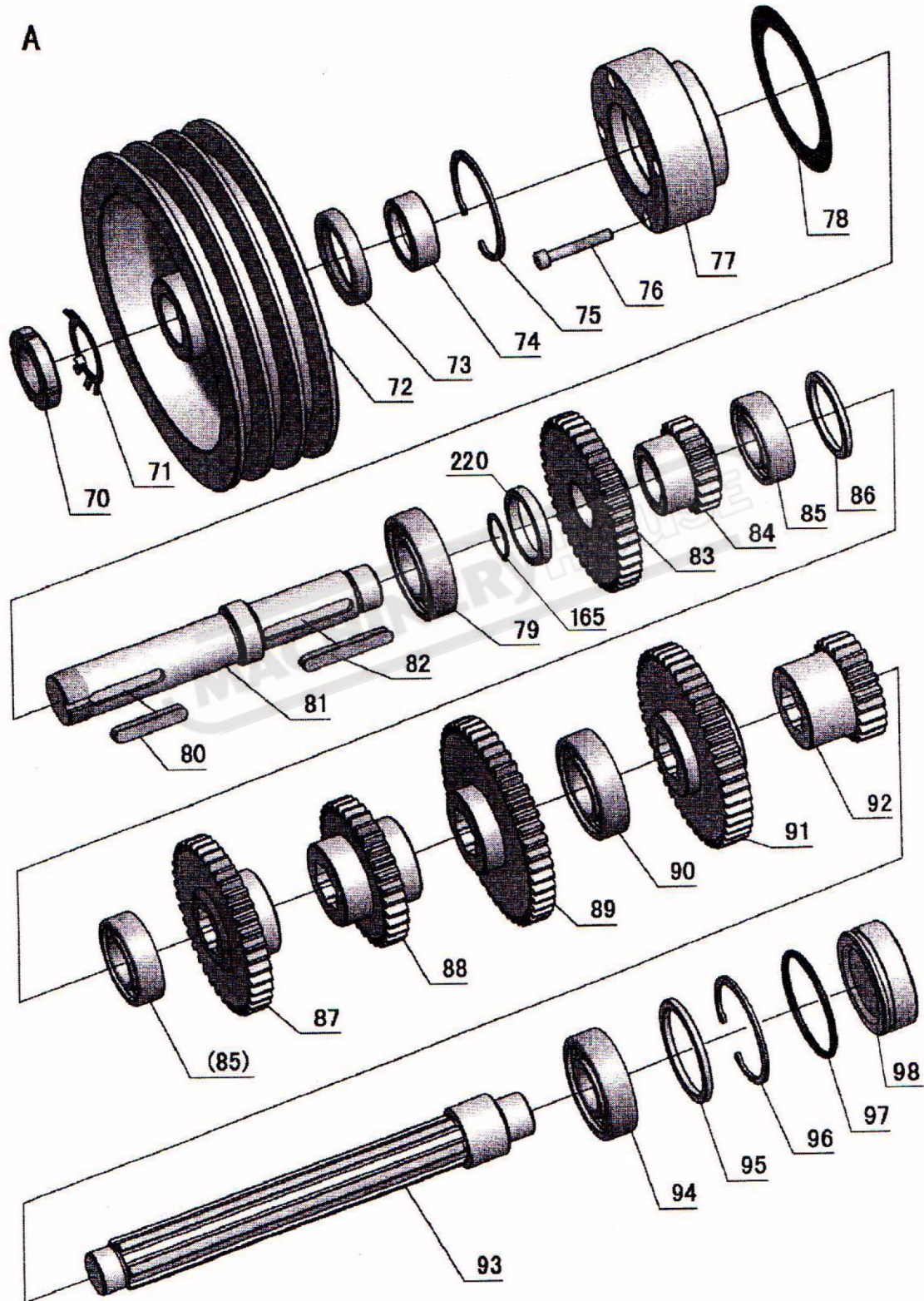
OPERATION MANUAL

CL-560 HEADSTOCK PARTS DIAGRAM Cont.



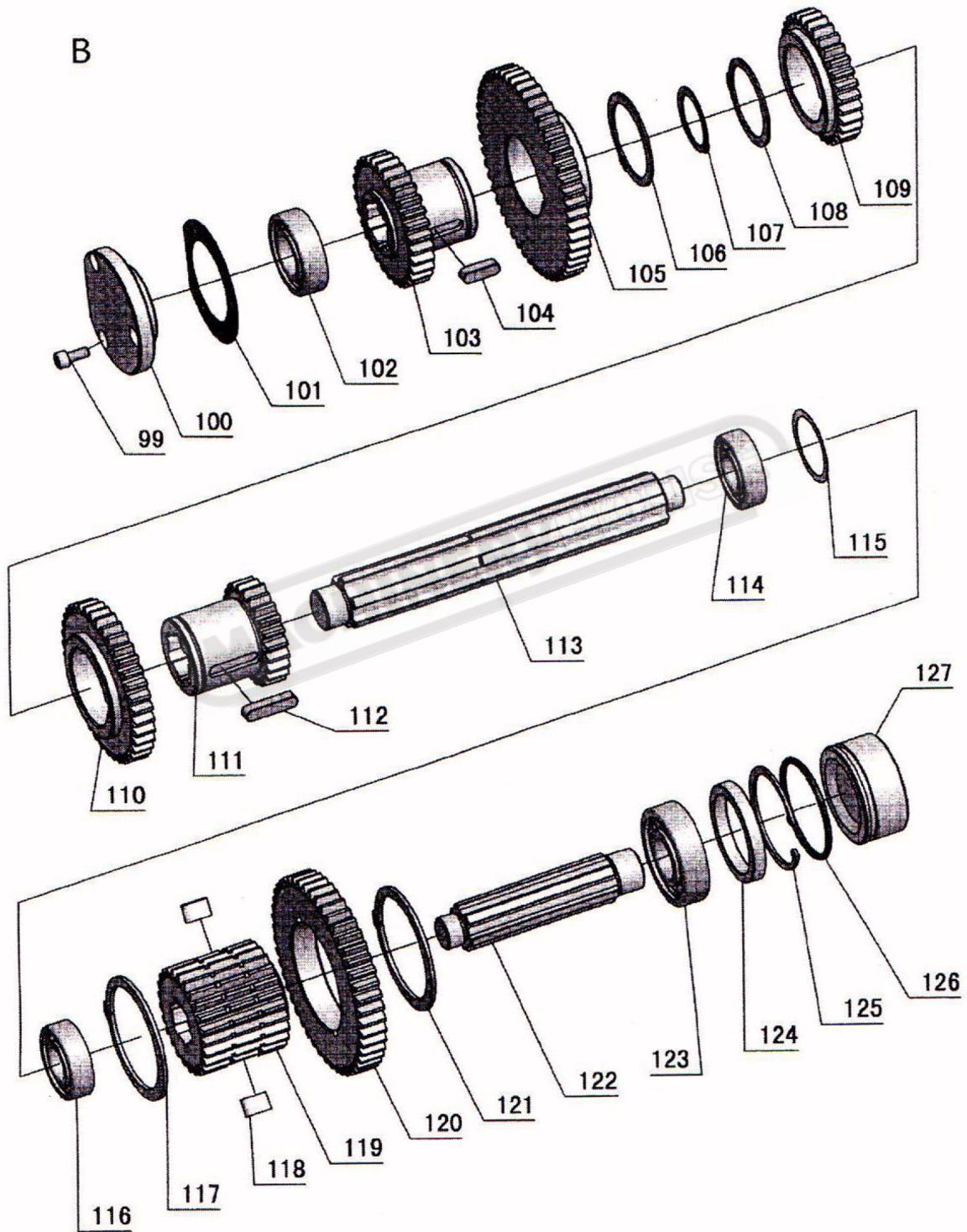
OPERATION MANUAL

CL-560 HEADSTOCK PARTS DIAGRAM Cont.



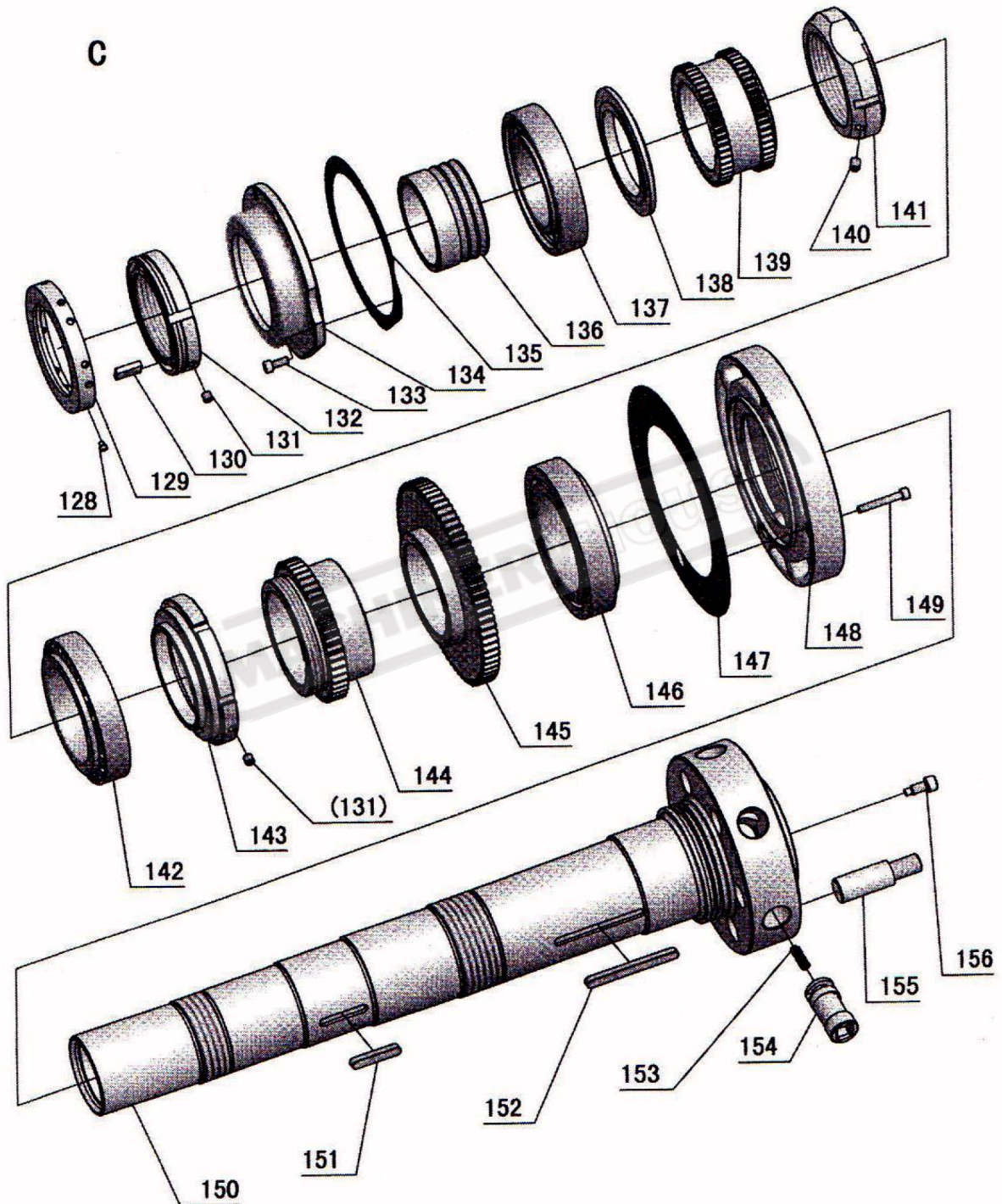
OPERATION MANUAL

CL-560 HEADSTOCK PARTS DIAGRAM Cont.



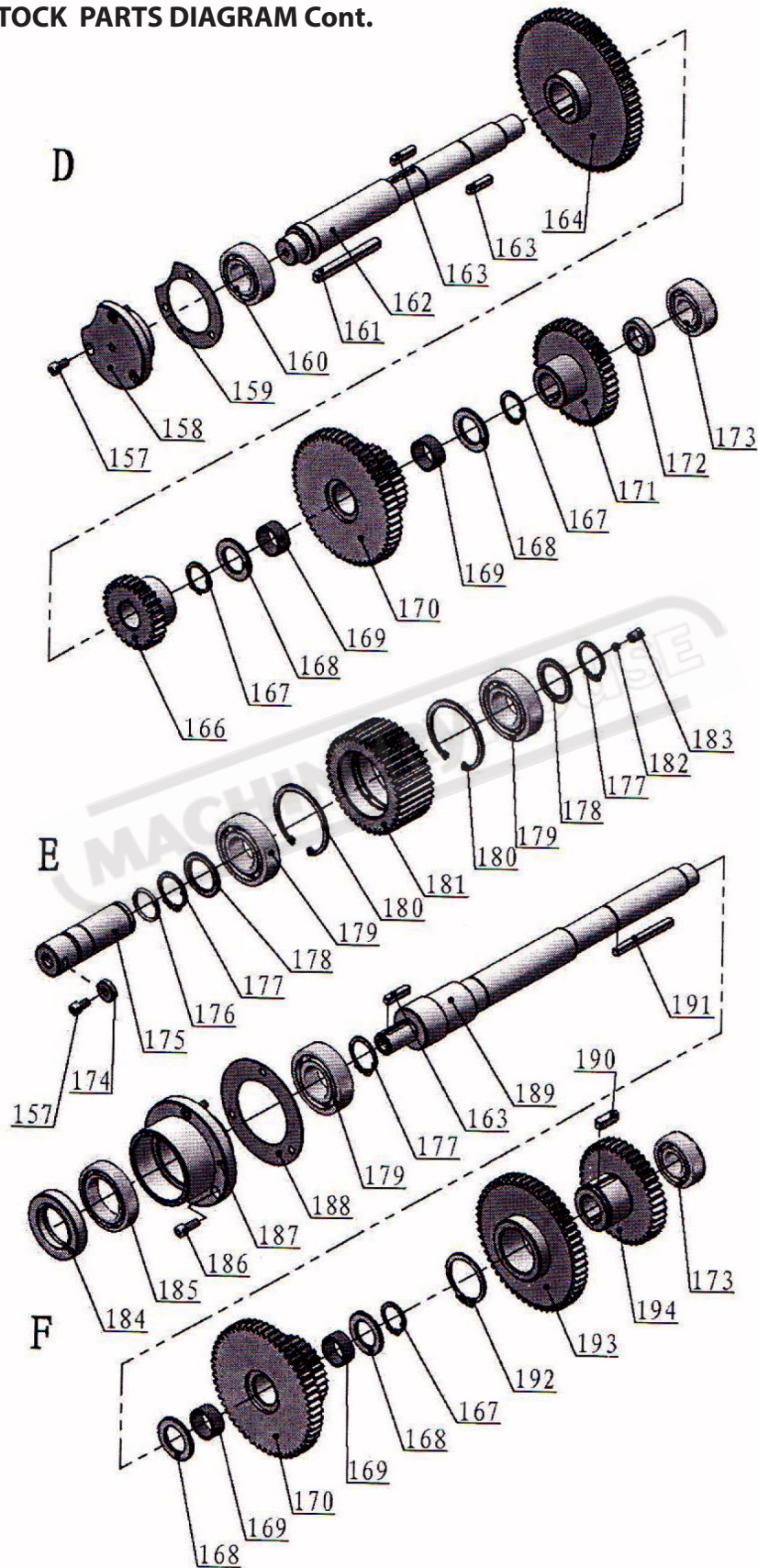
OPERATION MANUAL

CL-560 HEADSTOCK PARTS DIAGRAM Cont.



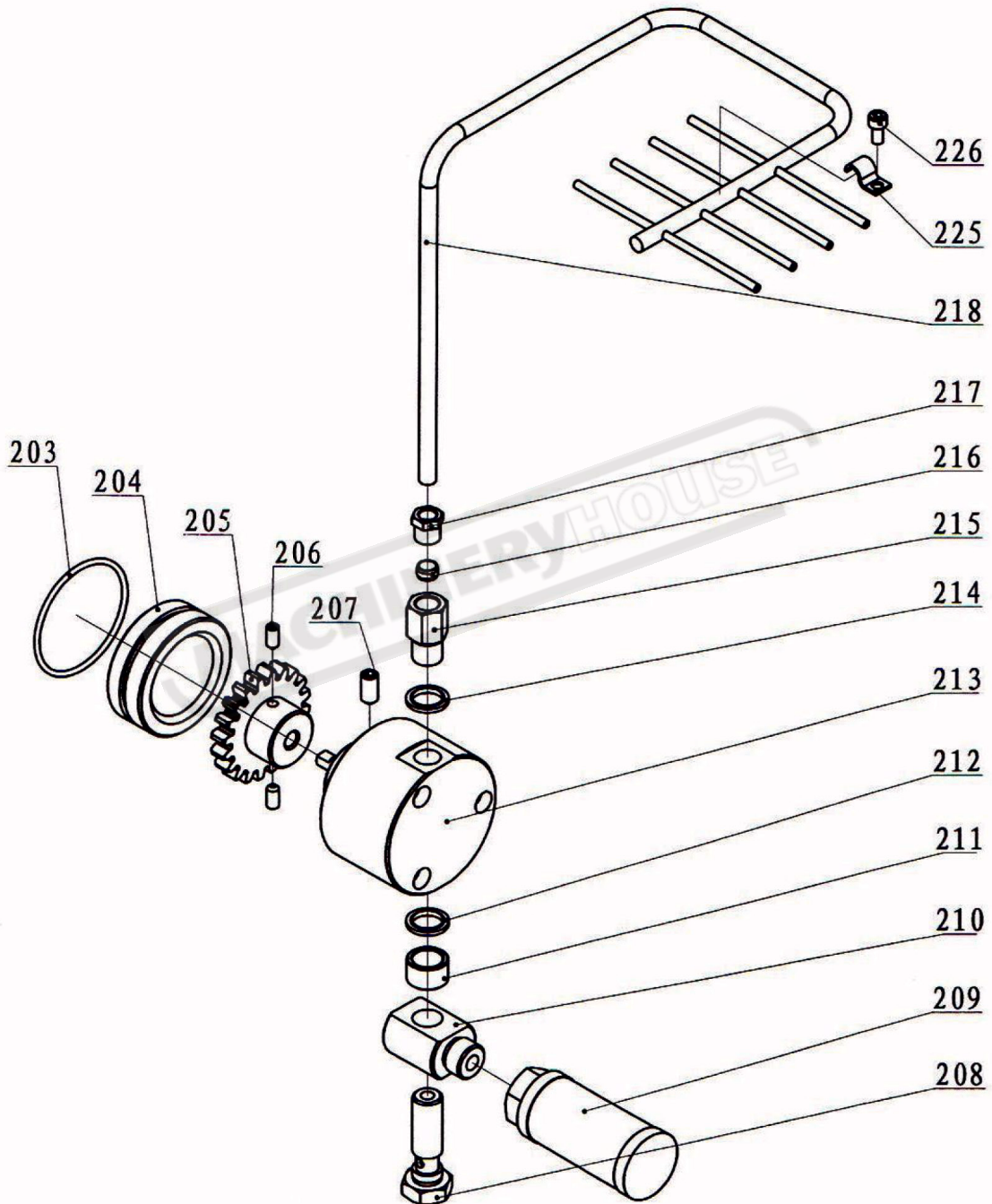
OPERATION MANUAL

CL-560 HEADSTOCK PARTS DIAGRAM Cont.



OPERATION MANUAL

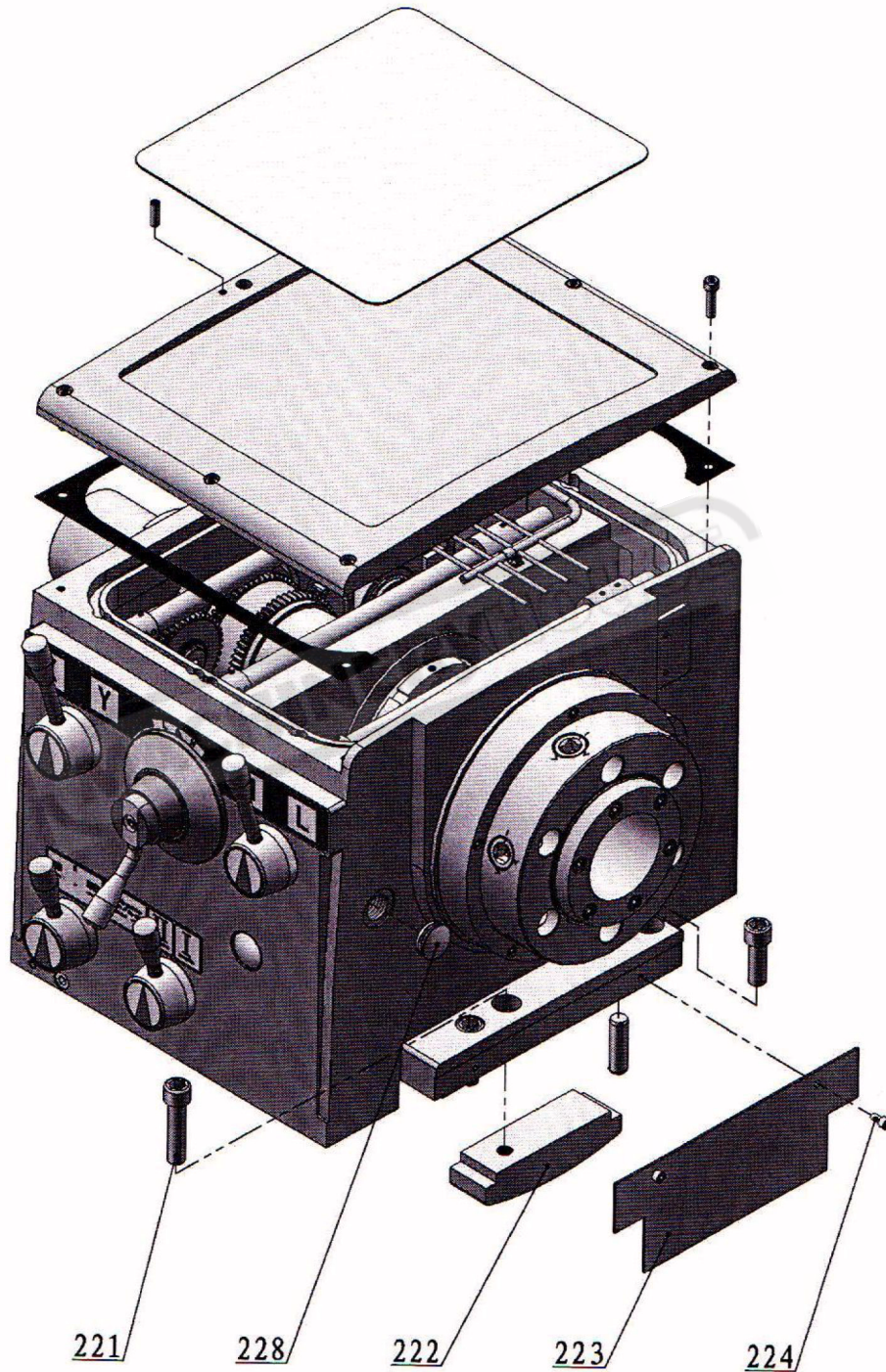
CL-560 HEADSTOCK PARTS DIAGRAM Cont.





OPERATION MANUAL

CL-560 HEADSTOCK PARTS DIAGRAM Cont.



OPERATION MANUAL

CL-560 HEADSTOCK PARTS LIST

No	Part No.	Item	Specification	Qty.
1	GB77-85	Screw	M8×25	1
2	CR6251-01-11	Cover Dress		1
3	GB70-85	Screw	M8×20	4
4	CR6251-01-02	Headstock Cover		1
5	CR6251-01-10	Sealed Mat		1
6	GB879-86	Spring Pin	5×30	7
7	CR6256B-01-39	Lever		2
8	CR62568-01-40	Fork		1
9	GB894.1-86	Snap Ring	12	3
10	CR6241-01-95	Plug		3
11	CR6251-01-31	Shaft		3
12	CR6256B-01-41	Fork		1
13	SB4032-65	Plug	20	1
14	SB4010-65	Tube Fitting	20	1
15	CR6256B-01-01	Headstock Casting		1
16	GB93-87	Washer	M16	2
17	GB70-85	Screw	M16×45	2
18	CR6241-01-76	Gear		1
19	CR6241-01-81	Shaft		1
20	GB1096-79	Key	5×12	1
21	CR6241-01-83	Fix Black		5
22	GB819-85	Screw	M6×14	10
23	CR6241-01-88	Handel		1
24	CR62568-01-52	Plate		1
25	GB879-86	Spring Pin	4×20	1
26	CR6241-01-90	Lever		1
27	CR6241-01-89	Fix Bracket		1
28	CR6241-01-97	Round Head Screw		5
29	G38-3A	Oil Plug	Z 3/8"	1
30	GB308-84	Steel Ball	1/4"	7
31	CR6241-01-82	Spring		7
32	GB77-85	Screw	M8×8	7
33	GB119-86	Pin	B8×55	1
34	GB79-85	Screw	M10×20	1
35	GB70-85	Screw	M10×80	1
36	CR62568-01-51	Plate		1
37	GB879-86	Spring Pin	3×12	5
38	GB1160.2-89	Oil Sight Glass	A20	1
39	GB70-85	Screw	M16×45	2
40	GB120-86	Pin	16×55	1

OPERATION MANUAL

CL-560 HEADSTOCK PARTS LIST Cont.

No	Part No.	Item	Specification	Qty.
41	GB827-86	Rivet	2x4	24
42	CR6256B-01-53	Plate		1
43	CR6241-01-77	Gear		1
44	GB1235-76	O-Ring	20x2.4	6
45	CR6256B-01-43	Gear		2
46	GB879-86	Spring Pin	5x26	2
47	GB79-85	Screw	M6x16	3
48	CR6241-01-80	Shaft		2
49	GB1235-76	O-Ring	22x2.4	5
50	CR6241-01-86	Lever		2
51	CR6241-01-84	Washer		4
52	CR6241-01-100	Plate		4
53	CR6256B-01-44	Gear		1
54	GB1096-79	Key	5x12	4
55	CR6241-01-85	Lever Head		2
56	CR6256B-01-49	Fork		1
57	CR6256B-0 1-46	Lever		1
58	GB894.1-86	Snap Ring	10	2
59	CR6256B-01-48	Shaft		1
60	CR6241-01-91	Handle		2
61	CR6241-02-62	Lever		2
62	CR6256B-01-50	Fork		1
63	GB879-86	Spring Pin	5x30	2
64	CR6256B-01-4 7	Lever		1
65	CR6256B-01-45	Shaft		1
66	GB80-85	Screw	M4x20	5
67	CR6256B-01-42	Fork		1
68	CR6256B-01-38	Lever		1
69	CR6251-01-12	Gear		1
70	GB812-88	Nut	TM30x1.5	1
71	GB858-88	Washer	30	1
72	CR6241-01-26	Pulley		1
73	HG4-692-67	Oil Seal	PD40x62x12	4
74	GB278-89	Ball Bearing	1080908	1
75	GB893.1-86	Snap Ring	62	1
76	GB70-85	Socket Head Cap Screw	M6x25	4
77	CR6251-01-32	Bearing Cap		1
78	CR6251-01-33	Bearing Seat Seal		1
79	GB278-89	Ball Bearing	80306	1
80	GB1096-79	Flat Key	8x40	1

OPERATION MANUAL

CL-560 HEADSTOCK PARTS LIST Cont.

No	Part No.	Item	Specification	Qty.
81	CR6251-01-90	Input Shaft		1
82	GBI096-79	Flat Key	8x70	1
83	CR6256B-01-09	Gear		1
84	CR6256B-01-08	Gear		1
85	GB278-89	Ball Bearing	80205	2
86	CR6251-01-37	Spacer		2
87	CR6256B-01-07	Gear		1
88	CR6256B-01-06	Gear		1
89	CR6256B-01-05	Gear		1
90	GB278-89	Ball Bearing	80207	1
91	CR6256B-01-04	Gear		1
92	CR6256B-01-03	Gear		1
93	CR6251-01-44	Spline Shaft		1
94	GB278-89	Ball Bearing	80305	1
95	CR6251-01-43	Washer		1
96	GB893.1-86	Snap Ring	62	1
97	GB3452.1-82	O-Ring	56x2.65	1
98	CR6241-01-33	Plug		1
99	GB70-85	Socket Head Cap Screw	M6x12	3
100	CR6251-01-88	Bearing Cover		1
101	CR6251-01-89	Bearing Cover Seal		1
102	GB278-89	Ball Bearing	80205	1
103	CR6256B-01-16	Gear		1
104	GB1096-79	Flat Key	8x32	1
105	CR6256B-01-17	Gear		1
106	GB894.1-86	Snap Ring	58	1
107	GB894.1-86	Snap Ring	38	1
108	GB894.1-86	Snap Ring	52	1
109	CR6256B-01-15	Gear		1
110	CR6256B-01-14	Gear		1
111	CR6256B-01-13	Gear		1
112	GBI096-79	Flat Key	8x32	1
113	CR6251-01-87	Spline Shaft		1
114	GB278-89	Ball Bearing	80205	1
115	CR6251-01-37	Spacer		2
116	GB278-89	Ball Bearing	80205	1
117	GB894.1-86	Snap Ring	82	1
118	CR6251-01-46	Flat Key		2
119	CR6256B-01-11	Gear		1
120	CR6256B-01-12	Gear		1

OPERATION MANUAL

CL-560 HEADSTOCK PARTS LIST Cont.

No	Part No.	Item	Specification	Qty.
121	GB894.1-86	Snap Ring	82	1
122	CR6256B -01- 10	Spline Shaft		1
123	GB278-89	Ball Bearing	80305	1
124	CR6251-01-43	Washer		1
125	GB893.1-86	Snap Ring	62	1
126	GB3452.1-82	O-Ring	56×2.65	1
127	CR6241-01-33	Protection Cover		1
128	GB79-85	Socket Head Set Screw	M6×10	4
129	CR6256B-01-56	Balance Block		2
130	CR6251-01-05-1	Brass		1
131	GB77 -85	Socket Head Set Screw	M10×10	2
132	CR6256B-01-55	Lock Nut		1
133	GB70-85	Socket Head Cap Screw	M6×20	4
134	CR6256B-01-27	Rear Bearing Cover		1
135	CR6256B-01-28	Rear Spindle Bearing Cover		1
136	CR6256B-01-26	Oil Ring		1
137	GB276 -89	Ball Bearing	124	1
138	CR6256B-01-25	Shaft Ring		1
139	CR6256B-01-24	Gear		1
140	GB77-85	Socket Head Set Screw	M10×10	3
141	CR6256B-01-54	Lock Nut		1
142	GB297-84	Ball Bearing	32926/P5	1
143	CR6256B-01-23	Lock Nut		1
144	CR6256B-01-22	Gear		1
145	CR6256B-01-21	Gear		1
146	GB297-84	Ball Bearing	32928/P5	1
147	CR6256B-01-20	Front Bearing Cover Seal		1
148	CR6256B-01-19	Front Bearing Cover	D1-8	1
149	GB70-85	Socket Head Cap Screw	M6×35	5
150	CR6256B-01- 02	Spindle		1
151	GB1096-79	Flat Key	8×80	1
152	GB1096-79	Flat Key	10×90	1
153	CR6241-01-94	Spring		6
154	CR6256B-01-57	Cam Lock For D1-8		6
155	CR6251-09-01	Cam Screw For D1-8		6
156	CR6256B-01-58	Screw For D 1- 8		6
157	GB70-85	Socket Head Cap Screw	M6×12	4
158	CR6251-01-74	Bearing Cover		1
159	CR6251-01-75	Bearing Cover Seal		1
160	GB278-89	Ball Bearing	80205	1

OPERATION MANUAL

CL-560 HEADSTOCK PARTS LIST Cont.

No	Part No.	Item	Specification	Qty.
161	GB1096-79	Flat Key	8x80	1
162	CR6256B-01-36	Shaft		1
163	GB1096 -79	Flat Key	6x28	3
164	CR6256B-01-33	Gear		1
165	GB894.1- 86	Snap Ring	30	1
166	CR6256B-01-34	Gear		1
167	GB894.1-86	Snap Ring	25	3
168	CR6241-01-16	Spacer		4
169	SF-1	Bearing	2512	4
170	CR6256B-01-29	Gear		2
171	CR6256B-01-35	Gear		1
172	CR6241-01-66	Spacer		1
173	GB278-89	Ball Bearing	80204	2
174	CR6241-01-65	Spacer		1
175	CR6251-01-68	Stationary Pulley Shaft		1
176	GB1235-76	O-Ring	30x2.4	1
177	GB894.1-86	Snap Ring	30	3
178	CR6251-01-66	Spacer		2
179	GB278-89	Ball Bearing	80206	3
180	GB893.1-86	Snap Ring	62	2
181	CR6256B-01-37	Gear		1
182	B1061C	Double Taper Sheath		1
183	15326C	Tie-In		1
184	HG4-692-67	Oil Seal	PD40x62x12	1
185	GB278-89	Ball Bearing	1080908	1
186	GB70-85	Socket Head Cap Screw	M6x16	3
187	CR6251-01-69	Bearing Seat		1
188	CR6251-01-70	Bearing Seat Seal		1
189	CR6256B-01-32	Output Shaft		1
190	GB1096-79	Flat Key	8x25	1
191	GB1096-79	Flat Key	6x70	1
192	GB894.1-86	Snap Ring	42	1
193	CR6256B-01-30	Gear		1
194	CR6256B-01-31	Gear		1
203	GB123 5-76	O-Ring	68x3.1	1
204	CR6251-01-92	Protection		1
205	CR6256B-01-18	Gear		1
206	GB80-85	Screw	M6x12	2
207	GB80-85	Screw	M8x16	1
208	CR6251-01-96	Connection		1

OPERATION MANUAL

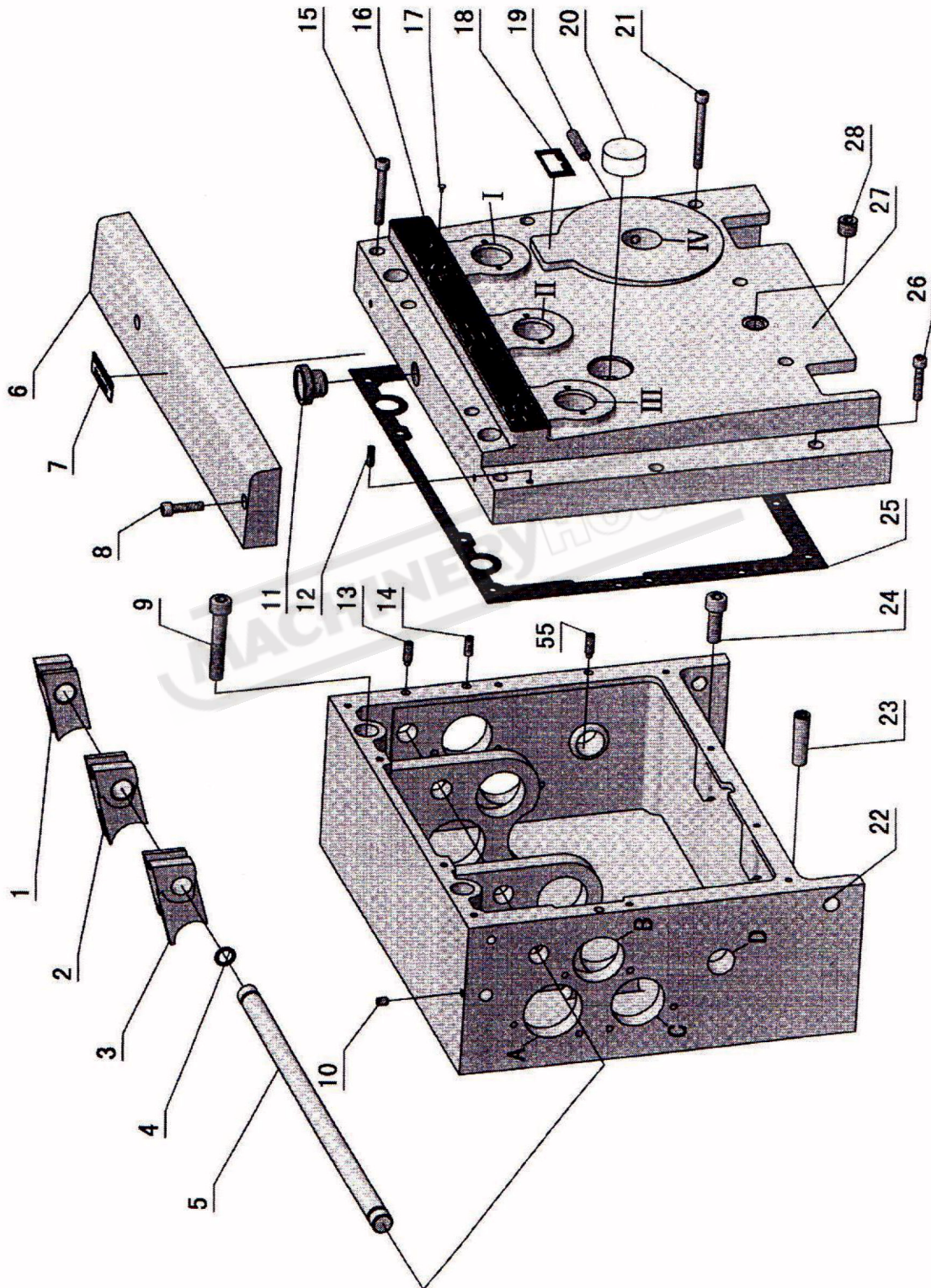
CL-560 HEADSTOCK PARTS LIST Cont.

No	Part No.	Item	Specification	Qty.
209	Wu-16x180-J	Filter		1
210	CR6251-01-95	Connection		1
211	CR6251.01-94	Spacer	14	1
212	G52-2	Washer	14	1
213	SNBY2.5/0.5	Oil Pump	M14 x 1.5	1
214	G52-2	Washer	14	1
215	CR6251-01-93	Conjunction Block		1
216	B145C	Double Taper Sheath		1
217	25567	Tie-In		1
218	CR6251-01-08	Oil Pipe		1
220	CR6251-01-34	Spacer Ring		1
221	GB70-85	Socket Head Cap Screw	M16 x 65	1
222	CR6251T-01-07	Clamp		1
223	CR6251T-01-06	Back Plate		1
224	GB70-85	Socket Head Cap Screw	M6 x 10	2
225		Pipe Clip	25594-1	1
226	GB70-85	Socket Head Cap Screw	M5 x 10	1
228		Oil Sight Glass	M27 x 1.5	1



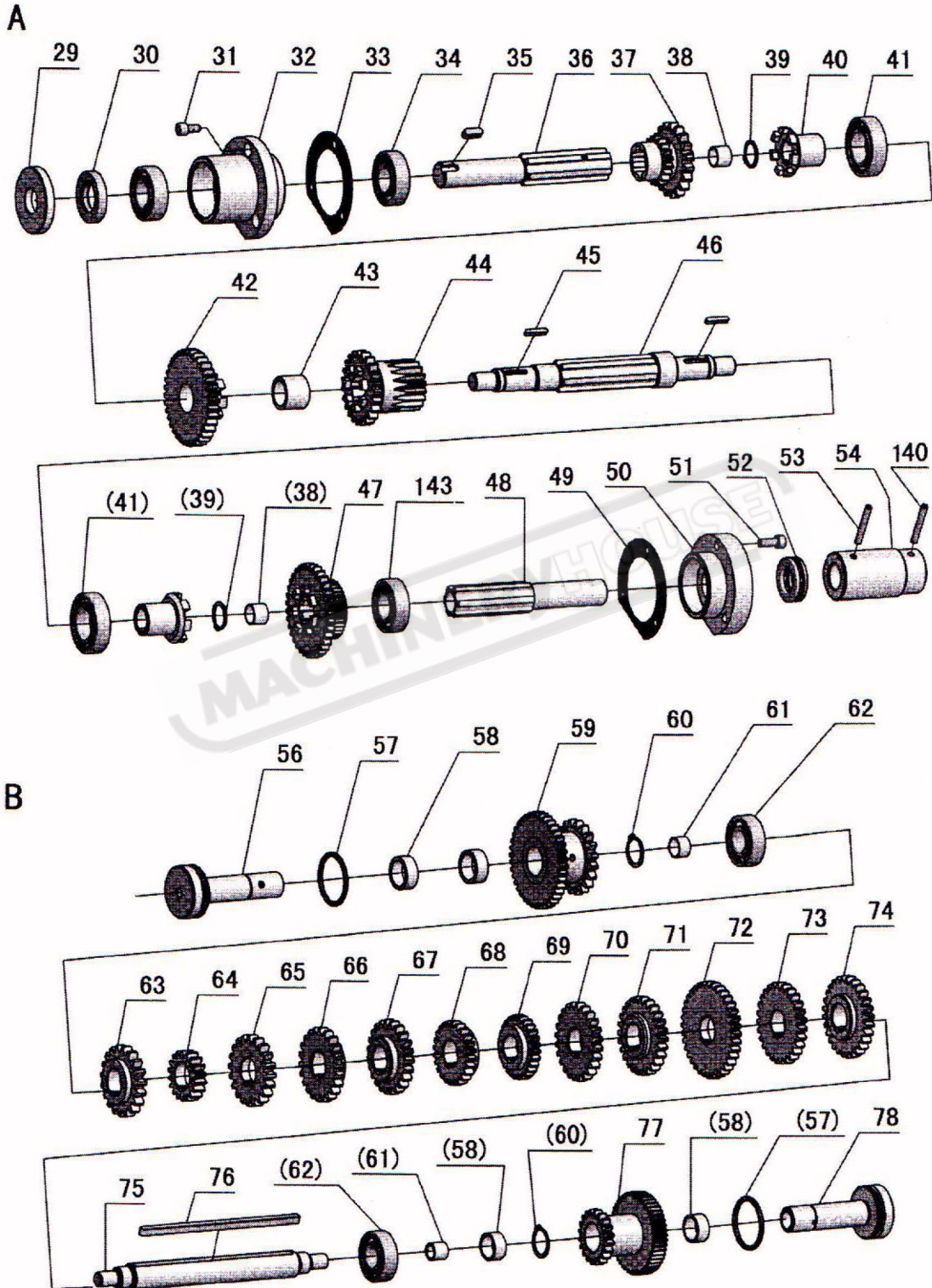
OPERATION MANUAL

CL-560 GEARBOX PARTS DIAGRAM



OPERATION MANUAL

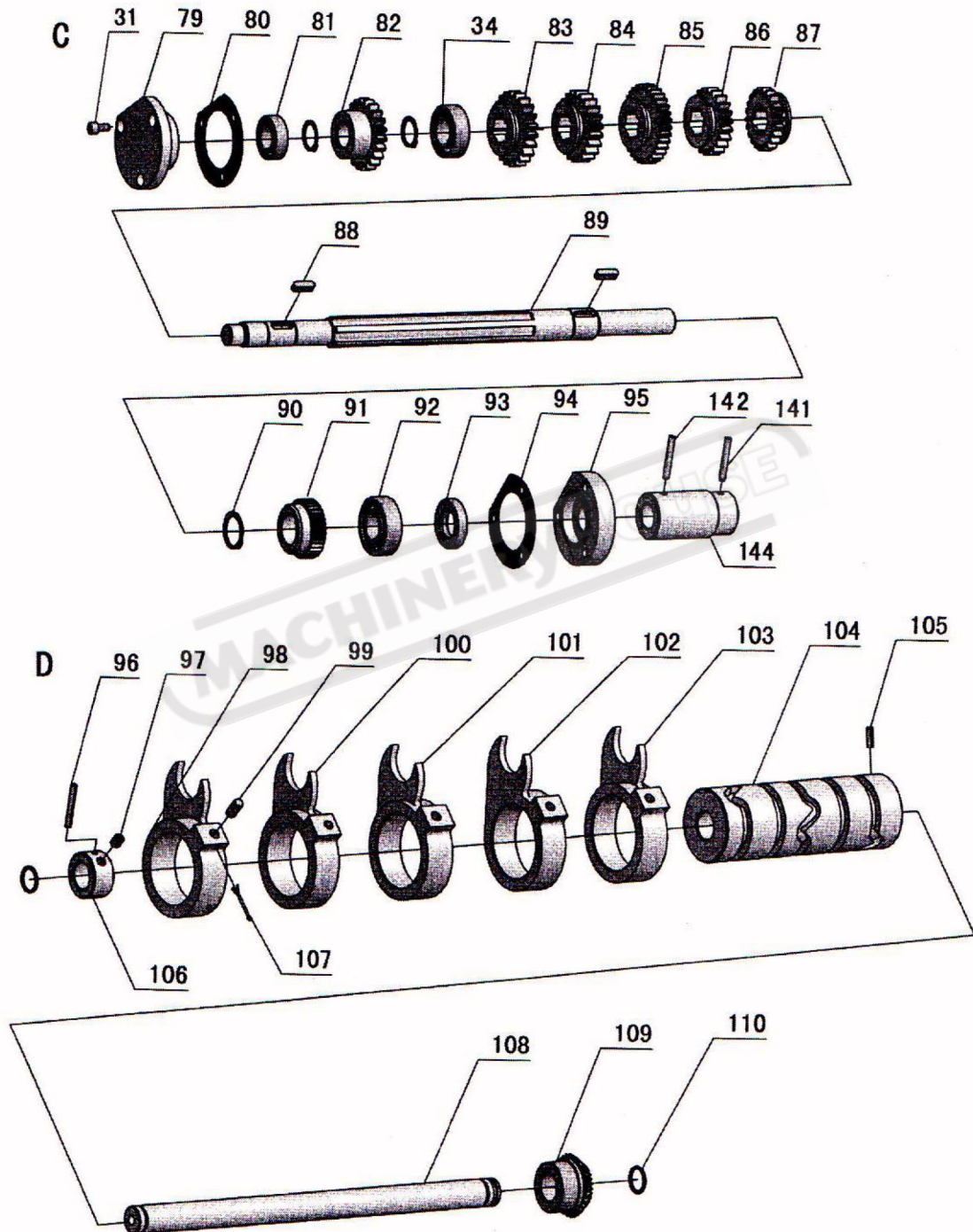
CL-560 GEARBOX PARTS DIAGRAM Cont.





OPERATION MANUAL

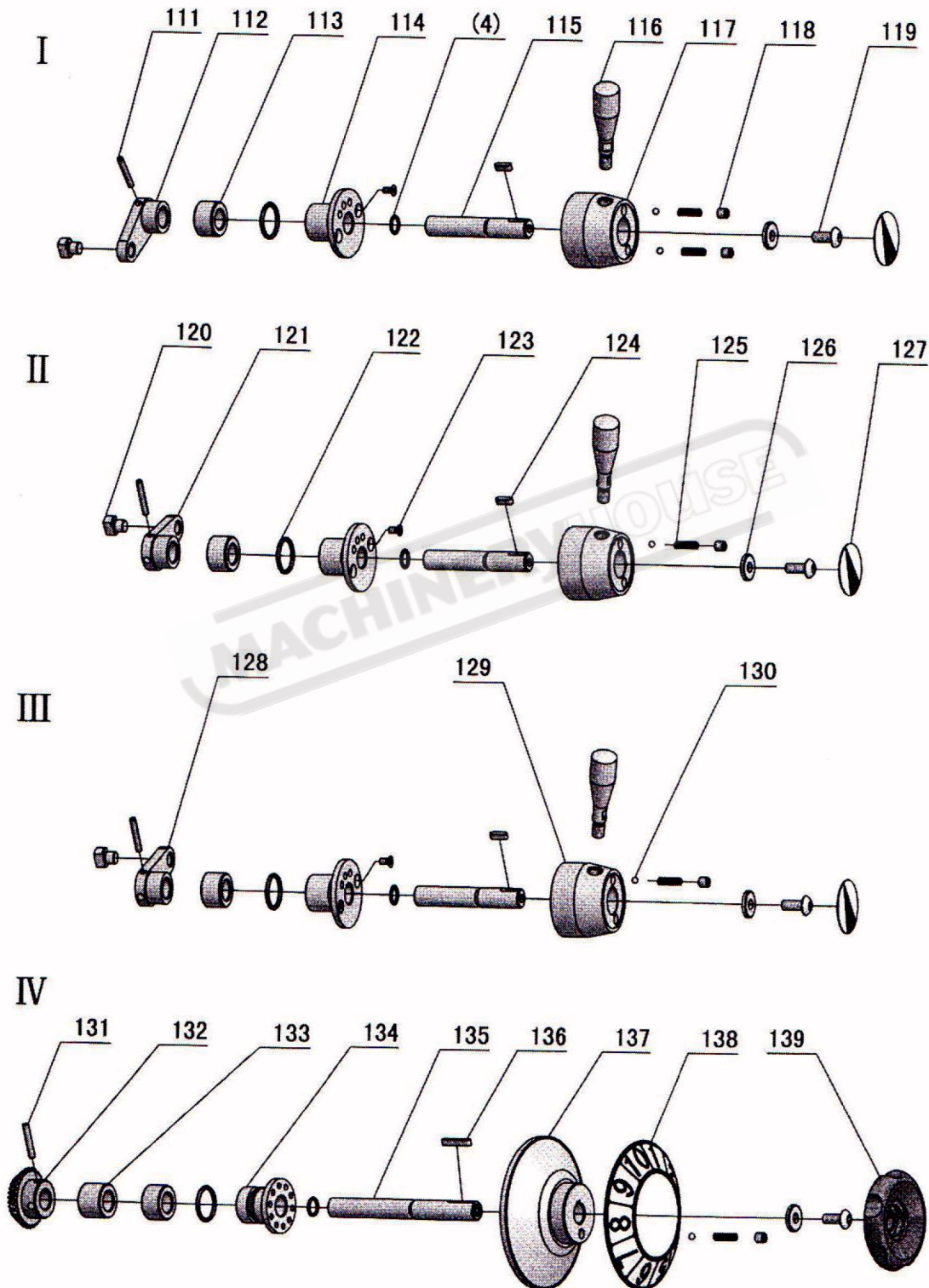
CL-560 GEARBOX PARTS DIAGRAM Cont.





OPERATION MANUAL

CL-560 GEARBOX PARTS DIAGRAM Cont.



OPERATION MANUAL

CL-560 GEARBOX PARTS LIST

No	Part No.	Item	Specification	Qty.
1	CR6241-02-10	Fork		1
2	CR6241-02-71	Fork		1
3	CR6241-02-72	Fork		1
4	GB1235-76	O-Ring	16x2.4	6
5	CR6241-02-78	Shaft		1
6	CR6251T-02-01	Top Cover		1
7	CR6241-01-102	Plate		1
8	GB70-85	Screw	M6x30	2
9	GB70-85	Screw	M10 x45	2
10	GB78-85	Screw	M6x8	1
11	CR6241-03-42	Oil Cover		1
	CR6241-03-43	Plate		1
12	GB879-86	Spring Pin	5x16	2
13	GB78-85	Socket Set Screw	M6x16	1
14	GB78-85	Screw	M6x16	2
15	GB70-85	Screw	M6x50	4
16	CR6251T-02-06	Plate		1
17	GB827-86	Rivet	2 x5	14
18	CR6241-02-80	Plate		1
19	GB78-85	Screw	M8x35	1
20	GB1160.2-89	Oil Sight Glass	A20	1
21	GB70-85	Screw	M6x60	4
22	CR6251T-02-04	Gear Box		1
23	GB118-86	Taper Pin	8x50	2
24	GB70-85	Screw	M10 x45	2
25	CR6251T-02-05	Sealed Mat		1
26	GB70-85	Screw	M6x50	2
27	CR6251T-02-02	Front Cover		1
28	G38-3A	Oil Plug	Z 3/8"	1
29	CR6251-02-12	Spacer		1
30		Oil-Seal	TC20 x42x8	1
31	GB70-85	Socket Head Cap Screw	M6x12	6
32	CR6241-02-58	Cap		1
33	CR6241-02-59	Sealed Mat		1
34	GB278-89	Ball Bearing	80104	31
35	GB1096-79	Key	6x10	1
36	CR6251-02-11	B-Shaft		1
37	CR6241-02-56	Gear		1
38	SF-1	Ball Bearing	1410	2
39	GB894.1-86	Snap Ring	18	2

OPERATION MANUAL

CL-560 GEARBOX PARTS LIST

No	Part No.	Item	Specification	Qty.
40	CR6241-02-55	Clutch		2
41	GB278-89	Ball Bearing	80105	2
42	CR6241-02-54	Gear		1
43	SF-1	Ball Bearing	2020	1
44	CR6241-02-53	Gear		1
45	GBI096 - 79	Key	4x20	2
46	CR6241-02-52	A-Shaft		1
47	CR6241-02-06	Gear		1
48	CR6241-02-51	C-Shaft		1
49	CR6241-02-50	Sealed Mat		1
50	CR6241-02-49	Cap		1
51	GB70-85	Socket Cap Screw	M6x20	6
52	GB301-84	Thrust Bearing	8104	1
53	GB879-86	Spring Pin	5x35	1
54	CR6251-02-10	Collar-Linkage		1
55	GB79-85	Socket Set Screw	M6x20	1
56	CR6241-02-33	E-Shaft		1
57	GB3452.1-82	O-Ring	35.5x3.55	2
58	SF - 1	Ball Bearing	2012	4
59	CR6241-02-34	Gear		1
60	GB894.1-86	Snap Ring	20	4
61	SF- I	Ball Bearing	1218	2
62	GB278-89	Ball Bearing	80203	2
63	CR6241-02-36	Gear		1
64	CR6241-02-37	Gear		1
65	CR6241 -02-38	Gear		1
66	CR6241-02-39	Gear		1
67	CR6241-02-40	Gear		1
68	CR6241-02-41	Gear		1
69	CR6241-02-42	Gear		1
70	CR6241 -02-43	Gear		1
71	CR6241-02-44	Gear		1
72	CR6241-02-45	Gear		1
73	CR6241-02-46	Gear		1
74	CR6241-02-47	Gear		1
75	CR6241-02-35	D-Shaft		1
76	GB1096-79	Key	6x146	1
77	CR6241-02-05	Gear		1
78	CR6241-02-48	F-Shaft		1
79	CR6241-02-31	Cap		1

OPERATION MANUAL

CL-560 GEARBOX PARTS LIST

No	Part No.	Item	Specification	Qty.
80	CR6241-02-32	Sealed Mat		1
81	GB278-89	Ball Bearing	80103	1
82	CR6241-02-29	Gear		1
83	CR6241-02-28	Gear		1
84	CR6241-02-27	Gear		1
85	CR6241-02-26	Gear		1
86	CR6241-02-25	Gear		1
87	CR6241-02-24	Gear		1
88	GB1096-79	Key	6x20	2
89	CR6241-02-30	G-Shaft		1
90	GB894.1-86	Snap Ring	25	1
91	CR6241-02-04	Gear		1
92	GB279-88	Ball Bearing	180204	1
93		Oil Seal	TC20x40x7	1
94	CR6241-02-23	Sealed Mat		1
95	CR6241-02-22	Cap-Right		1
96	GB879-86	Spring Pin	5x35	1
97	GB78-85	Socket Set Screw	M8x10	1
98	CR6241-02-17	Claw-Shifter		1
99	GB119-86	Pin	B8x16	5
100	CR6241-02-16	Claw -Shifter		1
101	CR6241-02-15	Claw-Shifter		1
102	CR6241-02-14	Claw-Shifter		1
103	CR6241-02-13	Claw-Shifter		1
104	CR6241-02-18	Cam		1
105	GB879-86	Spring Pin	5x16	2
106	CR6241-02-19	Fixed Ring		1
107	GB91-86	Split Pin	2x30	3
108	CR6241-02-20	Cam Shaft		1
109	CR6241-02-12	Bevel Gear		1
110	GB1235-76	O-Ring	22x2.4	2
111	GB879-86	Spring Pin	5x30	3
112	CR6241-02-68	Arm		1
113	CR6241-02-09	Spacer		4
114	CR6241-02-76	Detent Plate		3
115	CR6241-02-11	Shaft		3
116	CR6241-02-62	Lever		3
117	CR6241-02-77	Speed Change Handle		1
118	GB77-85	Screw	M8x8	5
119	CR6241-01-97	Screw		4

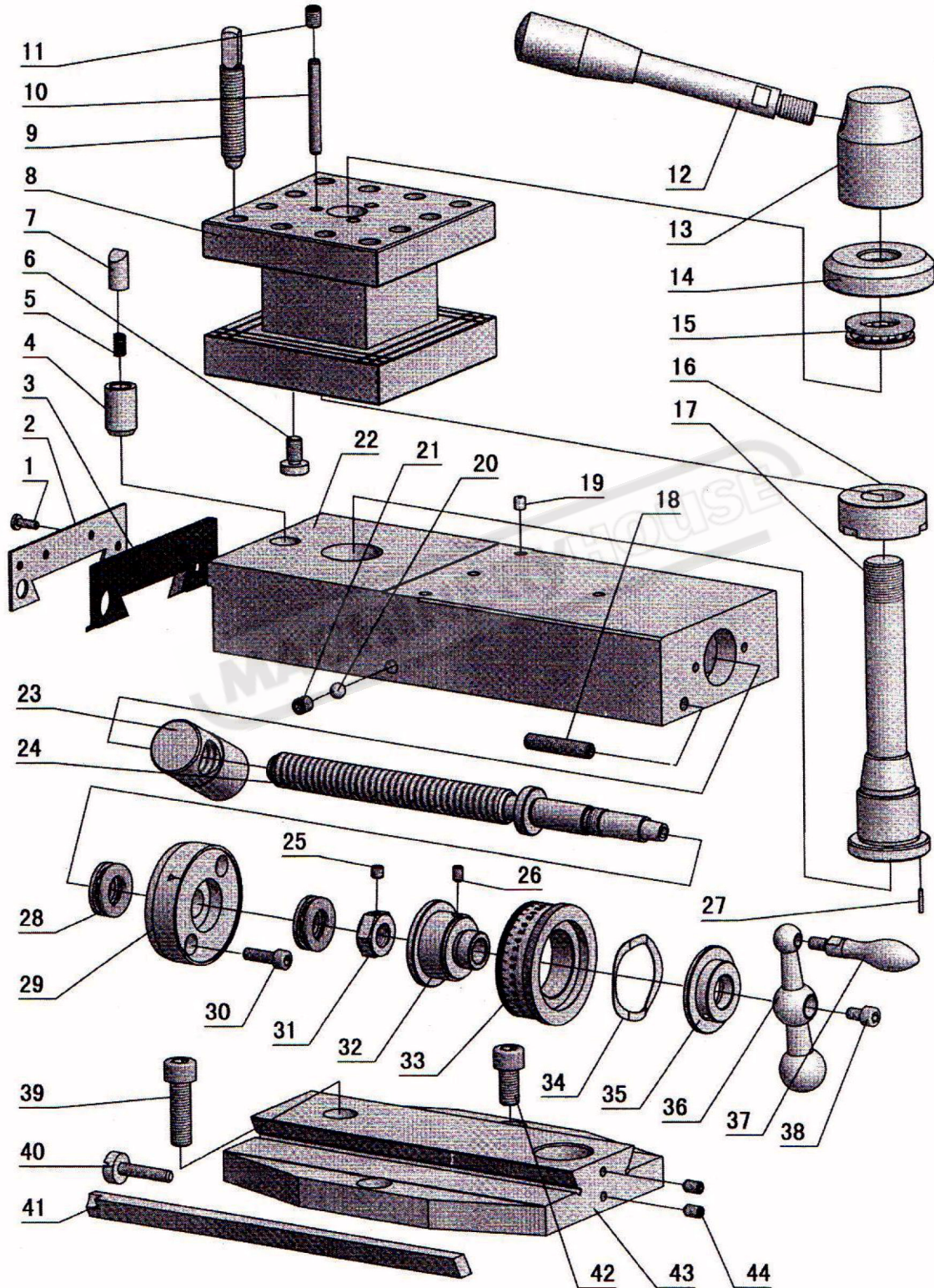
OPERATION MANUAL

CL-560 GEARBOX PARTS LIST

No	Part No.	Item	Specification	Qty.
120	CR6241-02-74	Fork		3
121	CR6241-02-69	Arm		1
122	GB1235-76	O-Ring	30x3.1	4
123	GB819-85	Screw	M5x10	6
124	GB1096-79	Key	5x14	3
125	CR6241-01-82	Spring		5
126	CR6241-01-84	Washer		4
127	CR6241-01-100	Plate		3
128	CR6241-02-70	Arm		1
129	CR6241-02-67	Speed Change Handle		2
130	GB308-77	Steel Ball	1/4"	5
131	GB879-76	Spring Pin	5x30	1
132	CR6241-02-63	Bevel Gear		1
133	CR6241-02-65	Spacer		1
134	CR6241-02-64	Shaft Sleeve		1
135	CR6241-02-07	Shaft		1
136	GB1096-79	Key	5x28	1
137	CR6241-02-66	Selecting Dial		1
138	CR6241-02-81	Plate		1
139	CR6241-02-61	Wheel		1
140	CR6251-06-23	Pin		1
141	CR6241-06-63	Pin		1
142	GB879-86	Spring Pin	5x35	1
143	GB279-88	Ball Bearing	180104	1
144	CR6241-02-21	Collar- Linkage		1

OPERATION MANUAL

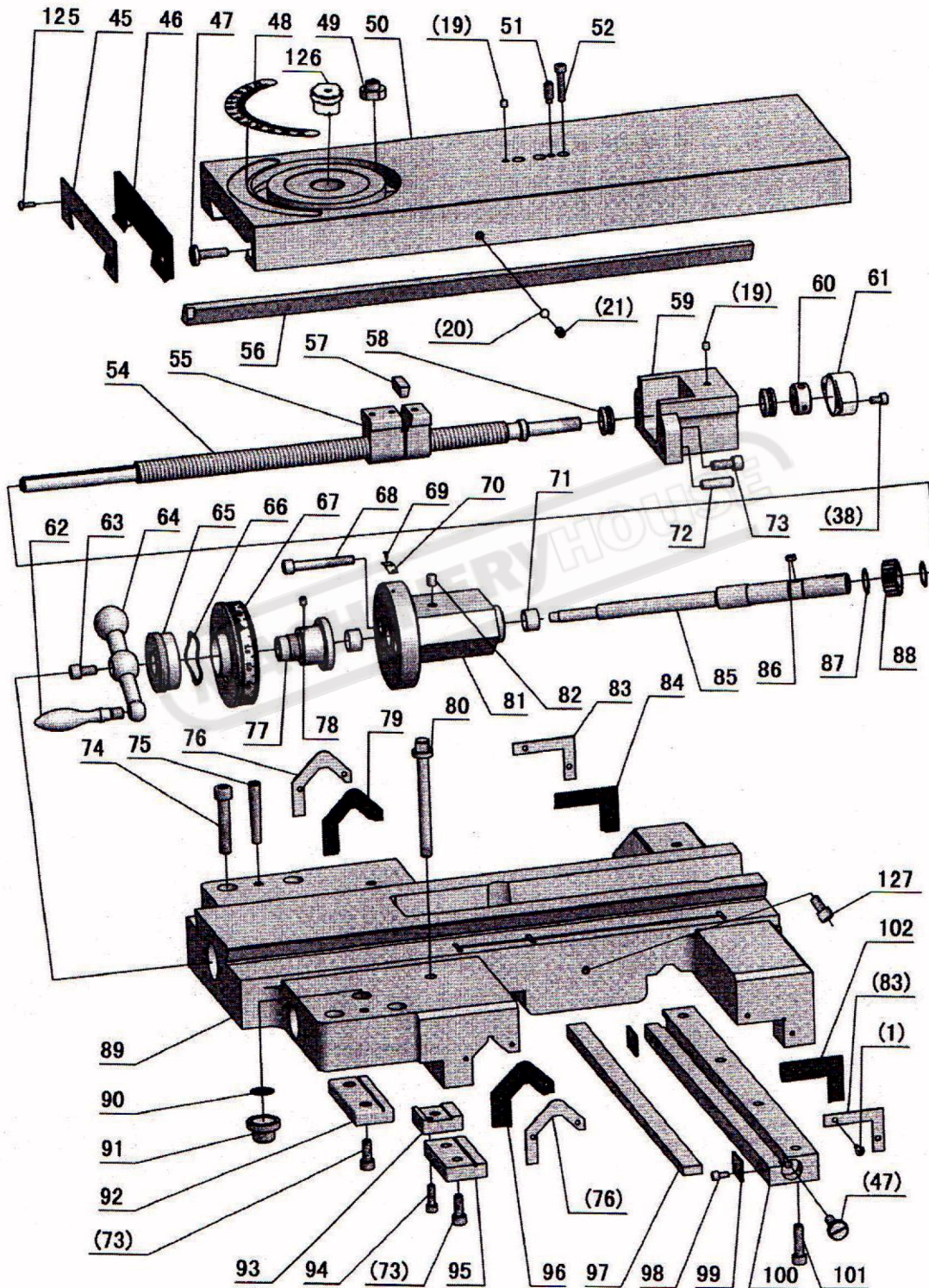
CL-560 SADDLE PARTS DIAGRAM





OPERATION MANUAL

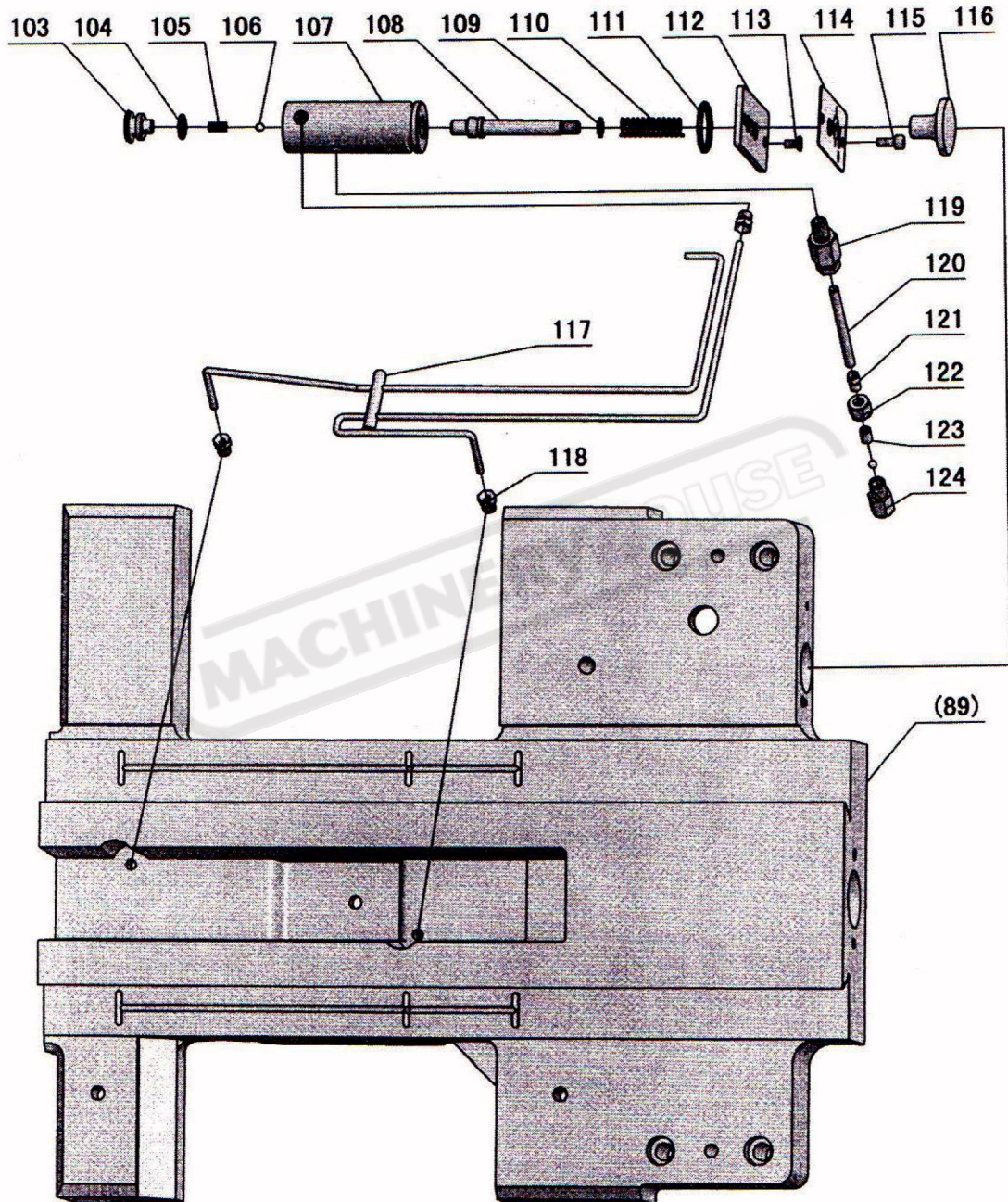
CL-560 SADDLE PARTS DIAGRAM Cont.





OPERATION MANUAL

CL-560 SADDLE PARTS DIAGRAM Cont.



OPERATION MANUAL

CL-560 SADDLE PARTS LIST

No	Part No.	Item	Specification	Qty.
1	GB818-85	Screw	M4x12	12
2	CR6251-03-24	Case-Wiper		1
3	CR6251-03-23	Wiper		1
4	CR6241-03-57	Sleeve		1
5	GB2089-80	Spring	1x5x18	1
6	CR6241-03-60	Adjust Screw (Flat Type)		3
7	CR6241-03-58	Round Pin		1
8	CR6251-03-25	Four Way Tool Post		1
8	CR6251-03-29	Block-Tee (T Type)		1
9	GB83-88	Screw	M12x55	12
10	GB119-86	Pin	D6x60	3
11	GB77-85	Screw	M8x10	3
12	CR6241-03-63	Clamping Handle		1
13	CR6241-03-62	Clamping Handle		1
14	CR6241-03-61	Washer		1
15	GB301-84	Thrust Bearing	8104	1
16	CR6241-03-59	Sleeve (Flat Type)		1
17	CR6251-03-22	Tool Post Shaft (Flat Type)		1
17	CR6251-03-28	Tool Post Shaft (T Type)		1
18	GB77-85	Screw	M8x40	1
19	GB1155-79	Ball Cup	6	6
20	GB308-84	Steel Ball	1/4"	2
21	GB80-85	Screw	M8x10	2
22	CR6251-03-26	Compound Rest (Flat Type)		1
22	CR6251-03-30	Compound Rest (T Type)		1
23	CR6241-03-48	Nut (Metric)		1
23	CR6241-03-48 Y	Nut (Inch)		1
24	CR6241-03-47	Screw-Compound Rest (Metric)		1
24	CR6241-03-47 Y	Screw-Compound Rest (Inch)		1
25	GB80-85	Screw	M6x6	1
26	GB80-85	Screw	M5x8	1
27	GB879-86	Spring Pin	2x12	1
28	GB301-84	Thrust Bearing	8102	2
29	CR6241-03-49	Seat Compound Rest Screw		1
30	GB70-85	Screw	M6 x 20	2
31	CR6241-03-50	Nut		1
32	CR6241-03-51	Collar		1
33	CR6241-03-52	Dial-Compound Rest (Metric)		1
33	CR6241-03-52 Y	Dial-Compound Rest (Inch)		1
34	CR6241-03-54	Wave Type Washer		1

OPERATION MANUAL

CL-560 SADDLE PARTS LIST Cont.

No	Part No.	Item	Specification	Qty.
72	GB118-86	Taper Pin	6 x 26	2
73	GB70-85	Screw	M8 x20	6
74	GB70-85	Screw	M10 x 60	4
75	GB118-86	Taper Pin	8 x 60	2
76	CR6251-03-09	Case-Wiper		2
77	CR6241-03-38	Clutch-Dial		1
78	GB80-85	Screw	M6x8	1
79	CR6251-03-07	Wiper		1
80	CR6241-03-74	Bolt		1
81	CR6251-03-17	Bracket		1
82	GB1155-79	Ball Cup	8	1
83	CR6251-03-06	Case-Wiper		2
84	CR6251-03-04	Wiper		1
85	CR6251-03-15	Cross Feed Pinion		1
86	GB1567-79	Key	8 x 12	1
87	GB894.1-86	Snap Ring	24	2
88	CR6251-03-16	Gear		1
89	CR6251-03-01	Saddle		1
90	CR6241-03-43	Plate		1
91	CR6241-03-42	Plug-Oil Inlet		1
92	CR6251-03-13	Gib-Front		1
93	CR6241-03-34	Clamp-Carriage		1
94	GB70-85	Screw	M6 x 20	1
95	CR6251-03-12	Gib-Left-Front		1
96	CR6251-03-08	Wiper		1
97	CR6251-03-10	Gib		1
98	GB70-85	Screw	M5 x 10	4
99	CR6241-03-14	Baffle		2
100	CR6251-03-11	Holder Gib		1
101	GB70-85	Screw	M8 x 30	4
102	CR6251-03-05	Wiper		1
103	CR6241-03-70	Oil Plug		1
104	GB1235-76	O-Ring	16x2.4	1
105	GB2089-80	Spring	0.5x4.5x}6	1
106	GB308-84	Steel Ball	ø 5	2
107	CR6241-03-64	Body Pump		1
108	CR6241-03-65	Piston Rod		1
109	GB3452.1-82	O-Ring	9 x1.8	1
110	CR6241-03-66	Spring		1
111	GB1235-76	O-Ring	32 x 3.1	1

OPERATION MANUAL

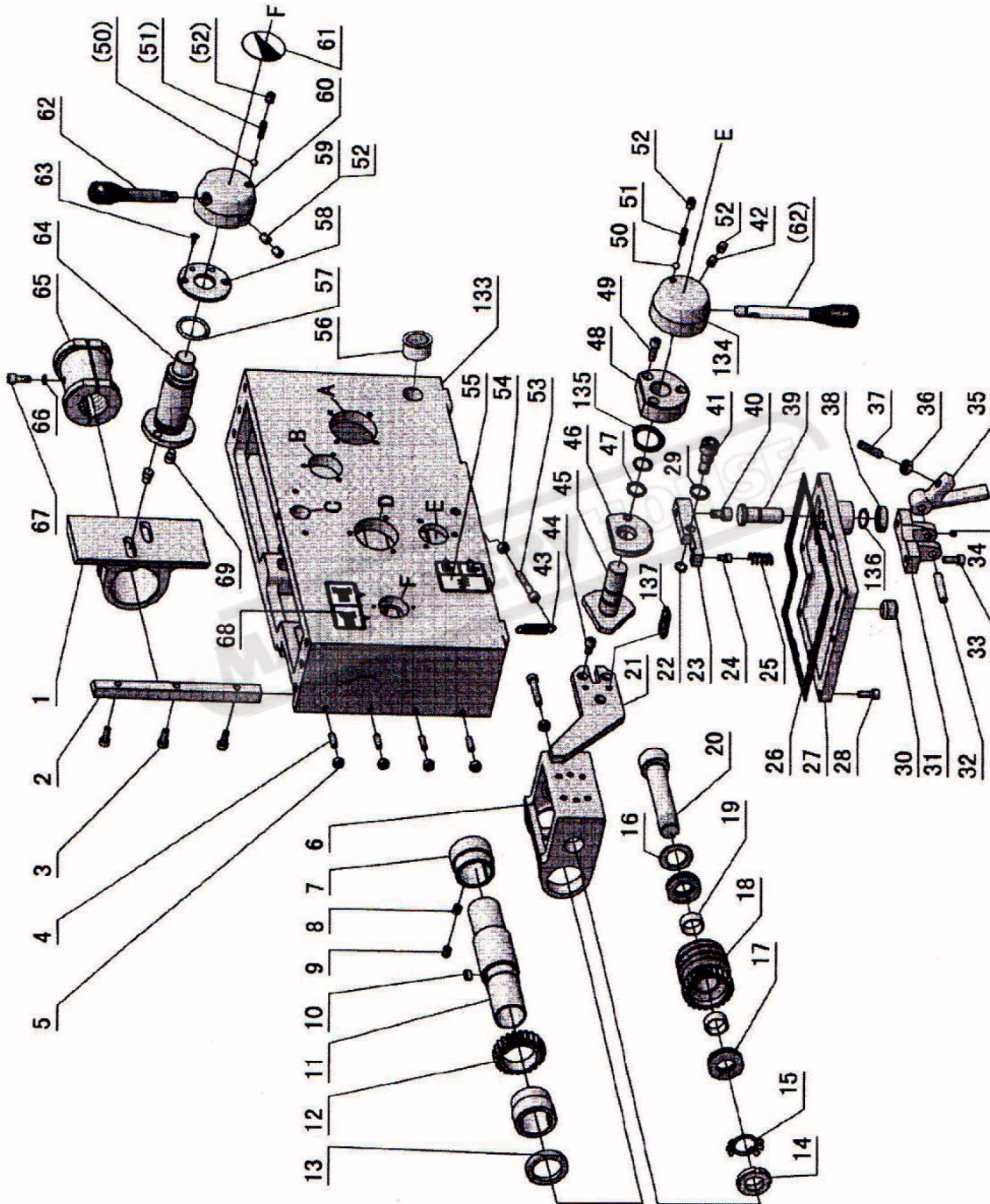
CL-560 SADDLE PARTS LIST Cont.

No	Part No.	Item	Specification	Qty.
112	CR6241-03-6 7	Bottom Board		1
113	GB68-85	Screw	MS x 10	3
114	CR6241-03-69	Plate		1
115	GB70-85	Screw	MS x 12	2
116	CR6241-03-68	Plug		1
117	CR6241-03-31	Vitta welding		1
118		Tube Fitting	Z 1/8" x ø4	3
119		Tube Fitting	Z 1/8" x ø6	1
120		Brass Tube	ø6 x 170	1
121	CR6241-03-71	Tube Fitting		1
122	CR6241-03-72	Nut		1
123	CR6241-03-73-2	Sleeve		1
124	CR6241-03-73-1	One Way Valve Assembly		1
125	GB818-85	Screw	MS x 14	4
126	CR6241-03-29	Shaft		1
127	GB70-85	Screw	M8 x 16	1
127	GB97.1-85	Washer	8	1



OPERATION MANUAL

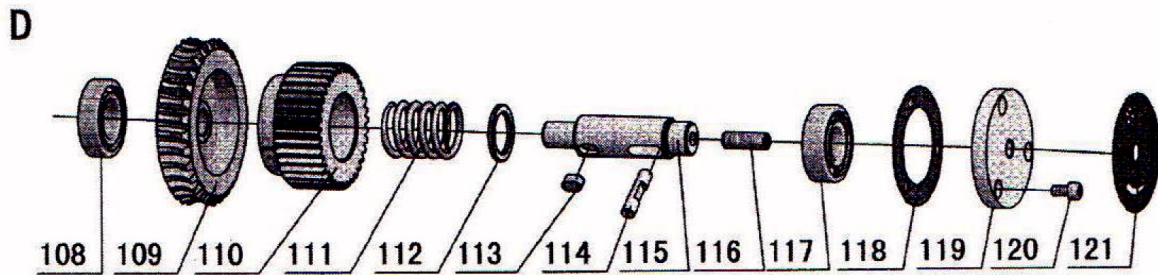
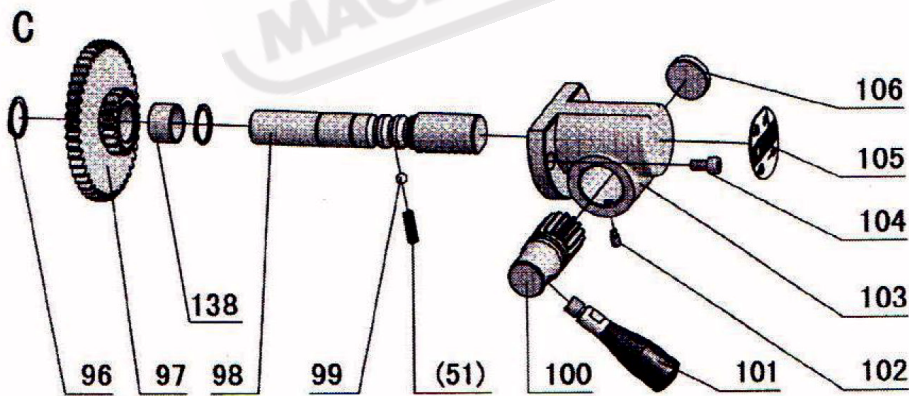
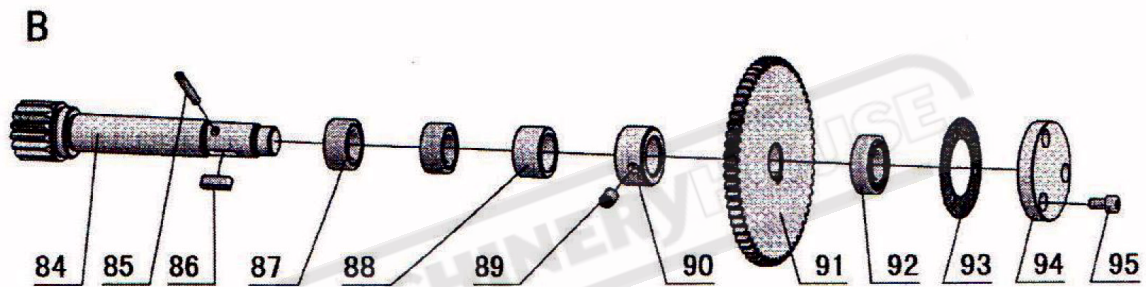
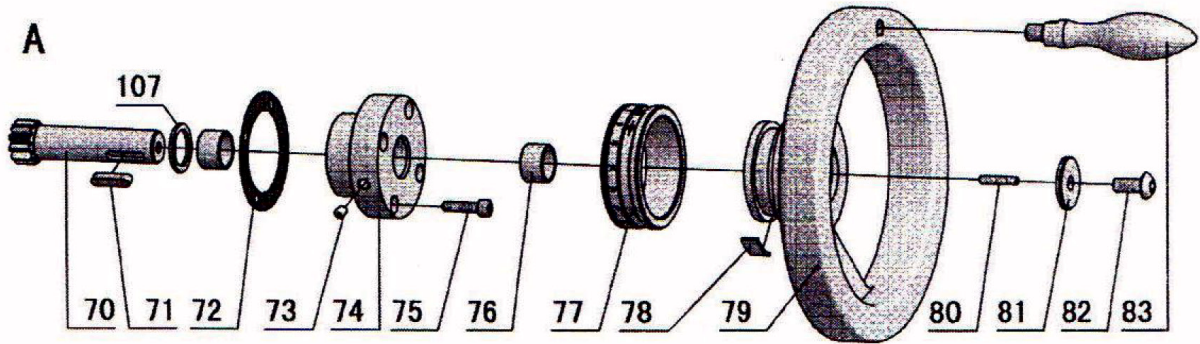
CL-560 APRON PARTS DIAGRAM





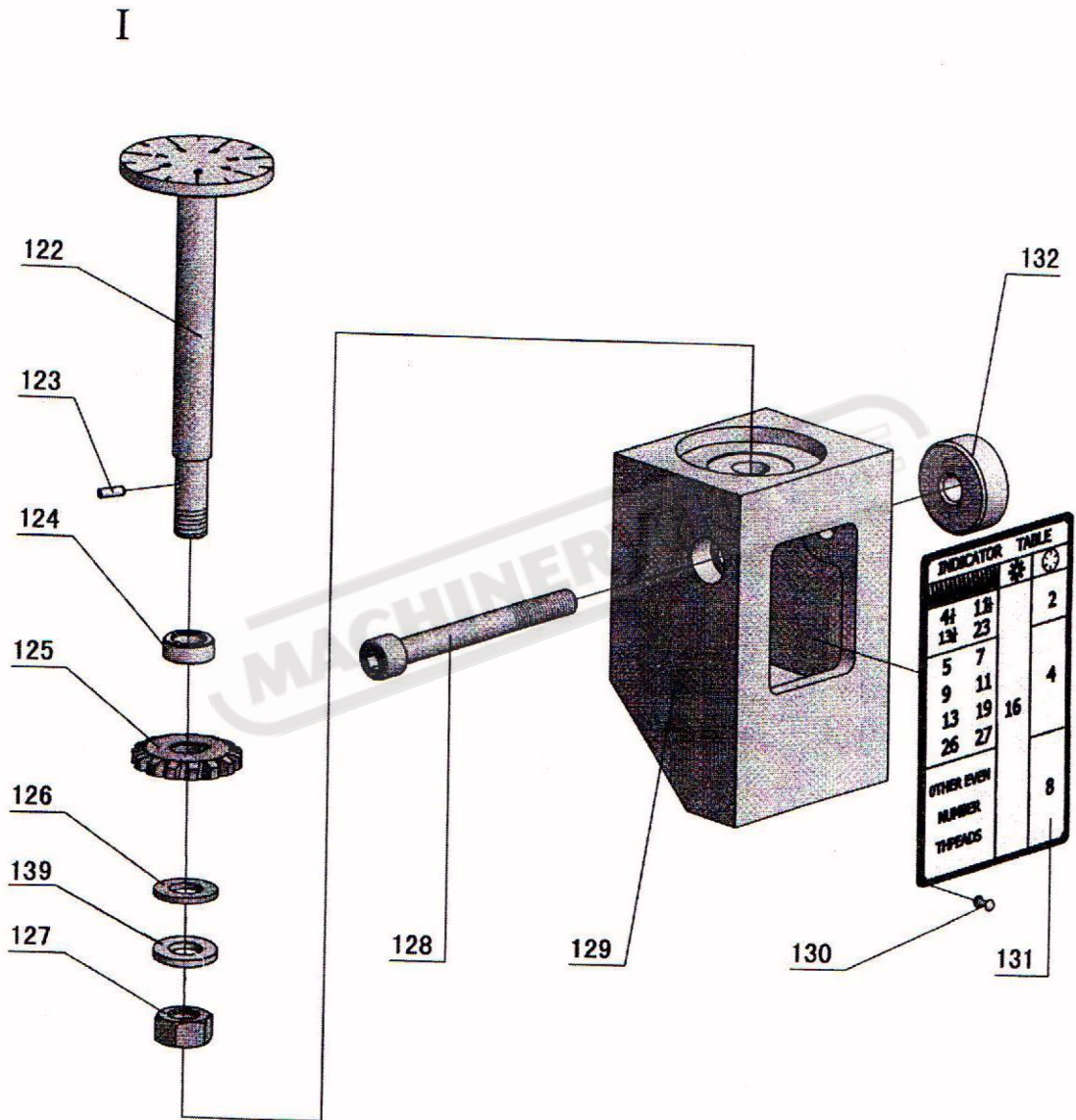
OPERATION MANUAL

CL-560 APRON PARTS DIAGRAM Cont.



OPERATION MANUAL

CL-560 APRON PARTS DIAGRAM Cont.



OPERATION MANUAL

CL-560 APRON PARTS LIST

No	Part No.	Item	Specification	Qty.
1	CR6241-04-03R	Lead Nut Assy (Right Hand)		1
1	CR6241-04-03	Lead Nut Assy (Left Hand)		1
2	CR6241-04-02	Gib		1
3	GB70-85	Screw	M6x 16	3
4	GB80-85	Screw	M6 x20	4
5	GB6170-86	Nut	M6	4
6	CR6241-04-18	Seat-Worm		1
7	CR6241-04-15	Bushing		2
8	GB80-85	Screw	M8 x 10	2
9	GB77-85	Screw	M8 x 10	2
10	GB1096-79	Key	6x 12	1
11	CR6241-04-16	Sleeve-Feed Rod		1
12	CR6241-04-17	Gear		1
13		Oil Seal	TC32x42x8	2
14	GB812-88	Nut	M20 x1.5	1
15	GB858-88	Washer	20	1
16	CR6241-04-21	Washer		1
17	GB301-84	Thrust Bearing	8104 2	2
18	CR6241-04-20	Worm Gear		1
19	SF-1	Bearing	2010 2	2
20	CR6241-04-19	Shaft		1
21	CR6241-04-23R	Safe Device Block (Right Hand)		1
21	CR6241-04-23	Safe Device Block (Left Hand)		1
22	GB894.1-86	Snap Ring	10	1
23	CR6241-04-30	Lever		1
24	GB70-85	Screw	M5x 8	1
25	CR6241-04-32	Spring		1
26	CR6241-04-11	Bottom Cover		1
27	CR6241-04-12	Sealed Mat		1
28	GB70-85	Screw	M6x16	9
29	GB982-77	Washer	12	1
30	G38-3A	Oil Plug	Z 3/8"	1
31	CR6241-04-13	Bracket		1
32	GB119-86	Pin	B8x40	1
33	GB70-85	Screw	M6x16	2
34	GB80-85	Screw	M6x6	1
35	CR6241-04-14	Lever		1
36	GB77-85	Screw	M8 x30	1
37	GB6170-86	Nut	M8	1
38		Oil Seal	TC15 x25 x7	1

OPERATION MANUAL

CL-560 APRON PARTS LIST Cont.

No	Part No.	Item	Specification	Qty.
39	CR6241-04-10	Pin		1
40	GB70-85	Screw	M8x12	1
41	CR6241-04-31	Screw		1
42	GB80-85	Screw	M8x10	1
43	CR6241-04-22	Spring		1
44	GB70-85	Screw	M6x12	3
45	CR6241-04-25R	Shaft (Right Hand)		1
45	CR6241-04-25	Shaft (Left Hand)		1
46	CR6241-04-26R	Buffer (Right Hand)		1
46	CR6241-04-26	Buffer (Left Hand)		1
47	GB1235 -76	O-Ring	20x2.4	2
48	CR6241-04-27	Sleeve		1
49	GB70-85	Screw	M6x20	3
50	GB308-84	Steel Ball	1/4"	2
51	CR6241-01-82	Spring		3
52	GB77-85	Screw	M8x10	4
53	GB70-85	Screw	M6x35	2
54	GB6170-86	Nut	M6	1
55	CR6241-04-71R	Knob (Right Hand)		1
55	CR6241-04-71	Knob (Left Hand)		1
56	GB1160.2-89	Oil Sight	A20	1
57	GB1235-76	O-Ring	32x3.5	2
58	CR6241-04-08	Washer		1
59	GB80-85	Screw	M8x10	1
60	CR6241-04-07R	Shaft Sleeve (Right Hand)		1
60	CR6241-04-07	Shaft Sleeve (Left Hand)		1
61	CR6241-01-100	Plate		1
62	CR6241-04-09	Lever		2
63	GB819-85	Screw	M4x10	2
64	CR6241-04-06R	Shaft (Right Hand)		1
64	CR6241-04-06	Shaft (Left Hand)		1
65	CR6251-04-01	Haft Nut (Metric)		1
65	CR6251-04-01Y	Haft Nut (Inch)		1
66	GB93-87	Spring Pin	6	2
67	GB70-85	Screw	M6x16	2
68	CR6241-04-70R	Plate (Right Hand)		1
68	CR6241-04-70	Plate (Left Hand)		1
69	CR6241-04-05	Key		2
70	CR6241-04-53	Shaft		1
71	GB1096-79	Key	6x25	1

OPERATION MANUAL

CL-560 APRON PARTS LIST Cont.

No	Part No.	Item	Specification	Qty.
72	CR6241-04-55	Sealed Mat		1
73	GB1155-89	Ball Cup	6	1
74	CR6241-04-54	Seat		1
75	GB70-85	Screw	M6x25	4
76	SF-1	Bearing	2010	2
77	CR6241-04-57	Dial- Rack (Metric)		1
77	CR6241-04-57Y	Dial- Rack (Inch)		1
78	Q67-4-33	Spring	80	1
79	CR6241-04-58	Hand Wheel		1
80	GB80-85	Screw	M4x20	1
81	CR6241-04-60	Washer		1
82	CR6241-01-97	Screw		1
83	CR6241-04-59	Handle		1
84	CR6241-04-48	Pinion		1
85	GB879-86	Pin	5x35	1
86	GB1096-79	Key	6x20	1
87	GB5801-86	Needle Bearing	4644903	2
88	CR6241-04-56	Sleeve		1
89	GB80-85	Screw	M8x12	1
90	CR6241-04-49	Spacer		1
91	CR6241-04-50	Gear		1
92	GB278-89	Ball Bearing	80103	1
93	CR6241-04-52	Sealed Mat		1
94	CR6241-04-51	Cover		1
95	GB70-85	Screw	M6x12	1
96	GB894.1-86	Snap Ring	20	2
97	CR6241-04-41	Gear		1
98	CR6241-04-42	Shaft		1
99	GB308-84	Steel Ball	7/32"	1
100	CR6241-04-45	Change Gear		1
101	CR6241-04-46	Handle Lever		1
102	GB79-85	Screw	M5x10	1
103	CR6241-04-43	Change Sleeve		1
104	GB70-85	Screw	M6x12	2
105	CR6241-04-72	Plate		1
106	CR6241-04-44	Plug		1
107	CR6241-04-74	Washer		1
108	GB279-88	Ball Bearing	180105	1
109	CR6241-04-33	Worm Gear		1
110	CR6241-04-34	Gear		1

OPERATION MANUAL

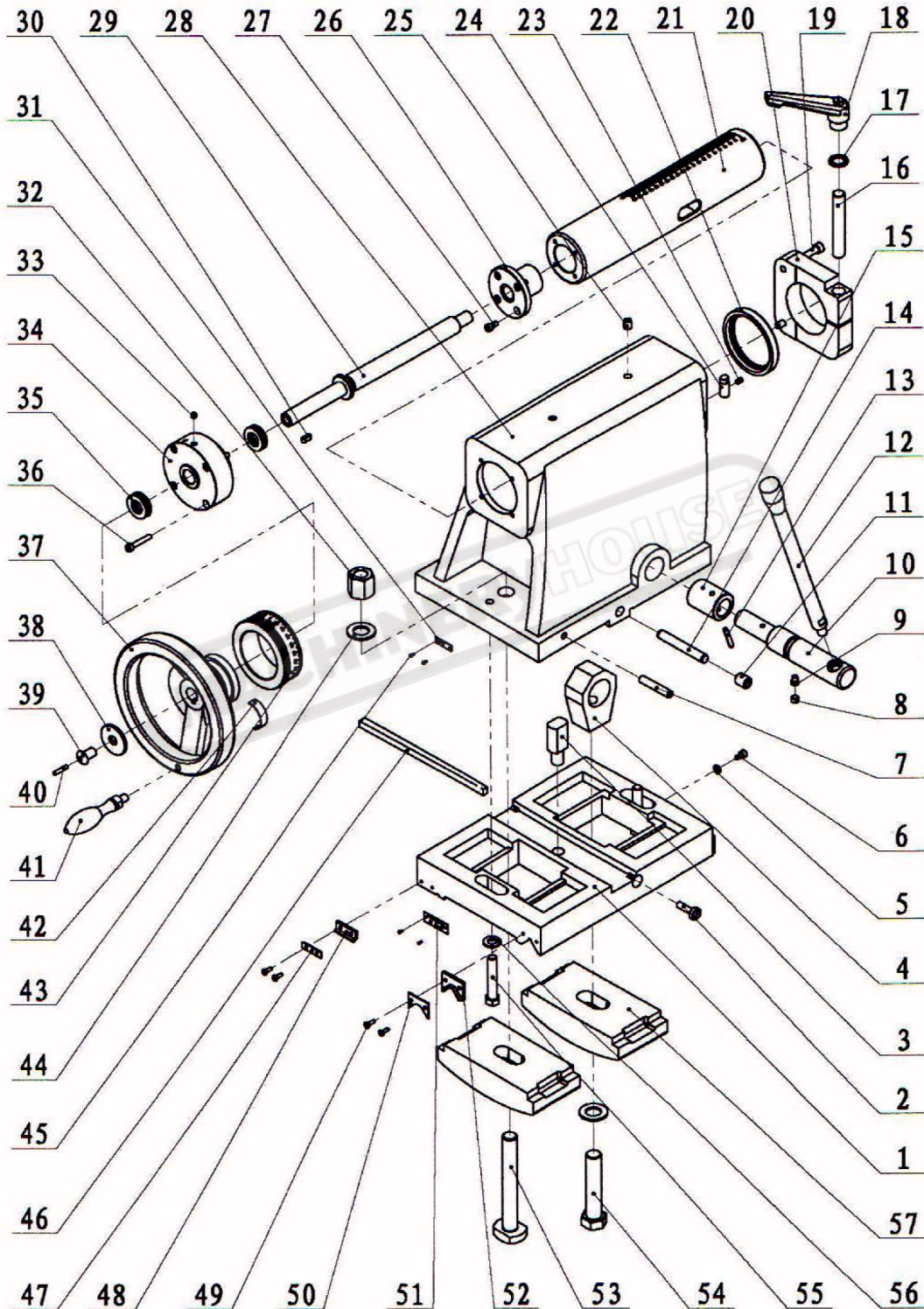
CL-560 APRON PARTS LIST Cont.

No	Part No.	Item	Specification	Qty.
111	CR6241-04-37	Spring		1
112	CR6241-04-38	Spacer		1
113	GB1096-79	Key	8x12	1
114	CR6241-04-36	Pin		1
115	CR6241-04-35	Cover		1
116	GB77-85	Screw	M10x30	1
117	GB278-89	Ball Bearing	80204	1
118	CR6241-04-40	Sealed Mat		1
119	CR6241-04-39	Cover		1
120	GB70-85	Screw	M6x12	3
121	CR6241-04-69	Plate		1
122	CR6241-04-62	Dial Indicator Shaft (Metric)		1
122	CR6241-04-62Y	Dial Indicator Shaft (Inch)		1
123	GB879-86	Pin	3x8	1
124	CR6241-04-47	Spacer		1
125	CR6241-04-63	Gear (Metric)		1
125	CR6241-04-64	Gear (Metric)		1
125	CR6241-04-65	Gear (Metric)		1
125	CR6241-04-64Y	Gear (Inch)		1
125	CR6241-04-66	Gear (Metric)		1
125	CR6241-04-67	Gear (Metric)		1
126	GB97.2-85	Washer	10	1
127	GB6170-86	Nut	M10	1
128	GB70-85	Screw	M8x85	1
129	CR6241-04-61	Thread Dial Body		1
130	GB827-86	Rivet	2x5	15
131	CR6241-04-68	Indicator Dial (Metric)		1
131	CR6241-04-68Y	Indicator Dial (Inch)		1
132	CR6241-04-24	Spacer		1
133	CR6241-04-01R	Apron (Right Hand)		1
133	CR6241-04-01	Apron (Left Hand)		1
134	CR6241-04-29R	Hub (Right Hand)		1
134	CR6241-04-29	Hub (Left Hand)		1
135	CR6241-04-28	Sealed Mat		2
136	GB3452.1-82	O-Ring	11.8 x 1.8	1
137	GB879-86	Pin	5x16	2
138	SF-1	Bearing	2020	1
139	GB93-87	Spring Pin	10	1



OPERATION MANUAL

CL-560 TAILSTOCK PARTS DIAGRAM



OPERATION MANUAL

CL-560 TAILSTOCK PARTS LIST

No	Part No.	Item	Specification	Qty.
1	CR6256-05-05	Bottom Tailstock		1
2	CR6241-05-25	Screw		2
3	CR6241-05-23	Block-Adjusting		1
4	CR6241-05-24	Bracket		1
5	GB/T97.1-1985	Washer	6	1
6	GB/T70.1-2000	Screw	M6x10	1
7	CR6241-05-22	Screw-Brake		1
8	GB/T77-2000	Screw	M10x8	1
9	GB/T79-2000	Screw	M10x12	1
10	CR6251-05-07	Shaft		1
11	GB/T80-2000	Screw	M16x20	2
12	CR6241-05-21	Lead Screw		1
13	GB879-86	Spring Pin	6x36	1
14	GB119-86	Pin Shaft	12x85	2
15	CR6241-05-26	Eccentric Block		1
16	CR6251-05A-04	Screw Bolt		1
17	CR6251-05A-03	Washer		1
18	Z52-2	Adjustable Fixed Handle	A-M16x110	1
19	GB/T70.1-2000	Screw	M8x30	2
20	CR6251-05A-02	Locking Block		1
21	CR6251-05A-05	Tailstock Sleeve		1
22	HG4-692-67	Oil-Seal	PD75x95x12	1
23	GB/T80-2000	Screw	M6x10	1
24	CR6251-05-18	Pin Shaft		1
25	GB1155-89	Ball Cup	10	2
26	CR6251-05-14	Feed Nut (Metric)		1
26	CR6251-05-14Y	Feed Nut (Inch)		1
27	GB/T70.1-2000	Screw	M6x12	4
28	CR6251-05A-01	Tailstock Body		1
29	CR6251-05-01	Feed Screw (Metric)		1
29	CR6251-05-01Y	Feed Screw (Inch)		1
30	GB1096-79	Key	6x16	1
31	CR6241-05-28	Plate		1
32	GB/T56-1988	Nut	M20	1
33	GB1155-89	Ball Cup	6	1
34	CR6251-05-02	Cap-Body End		1
35	GB/T301-1995	Thrust Bearing	51104	2
36	GB/T70.1-2000	Screw	M6x35	1
37	CR6251-05-15	Handle Wheel		1
38	CR6251-05-20	Washer		1

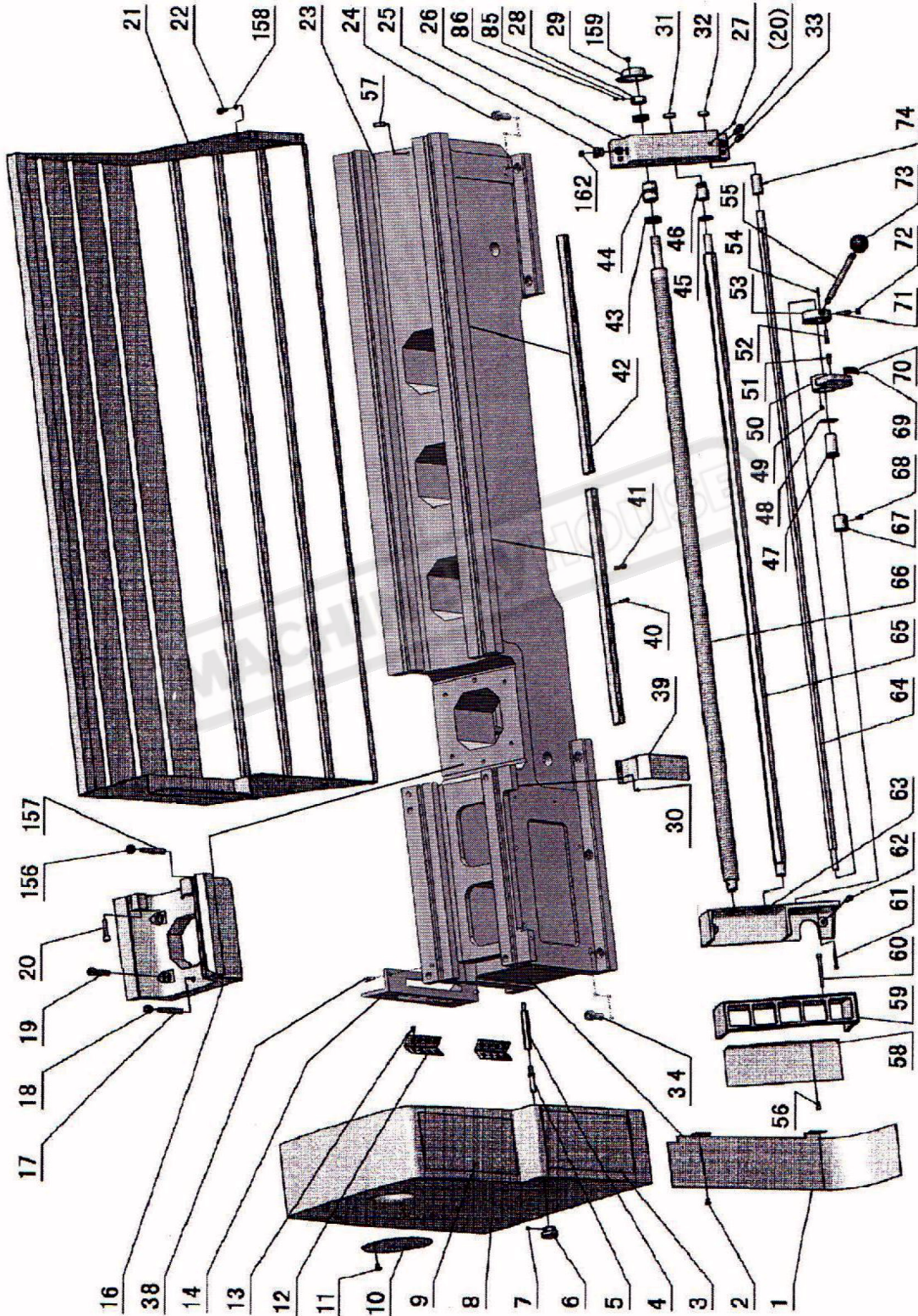
OPERATION MANUAL

CL-560 TAILSTOCK PARTS LIST Cont.

No	Part No.	Item	Specification	Qty.
39	CR6251-05-19	Screw		1
40	GB/T80-2000	Screw	M5x25	1
41	CR6241-04-59	Handle		1
42	Q67-4-33	Spring	100	1
43	CR6251-05-03	Dial-Feed (Metric)		1
43	CR6251-05-03Y	Dial-Feed (Inch)		1
44	GB/T97.1-1985	Washer	20	2
45	GB/T827-1986	Rivet	2x5	4
46	CR6251-05-16	Taper Gib Strip		1
47	CR6251-05-11	Case-Wiper		2
48	CR6251-05-12	Wiper		2
49	GB/T818-2000	Cross Recessed Head Screw	M4x12	8
50	CR6251-05-10	Case-Wiper		2
51	CR6241-05-29	Plate		1
52	CR6251-05-09	Wiper		2
53	GB/T37-1988	Bolt	M20x175	1
54	GB/T5782-2000	Screw	M20x125	1
55	GB/T5782-2000	Screw	M12x90	2
56	GB/T95-1985	Washer	12	2
57	CR6251-05-06	Clamping Handle		2

OPERATION MANUAL

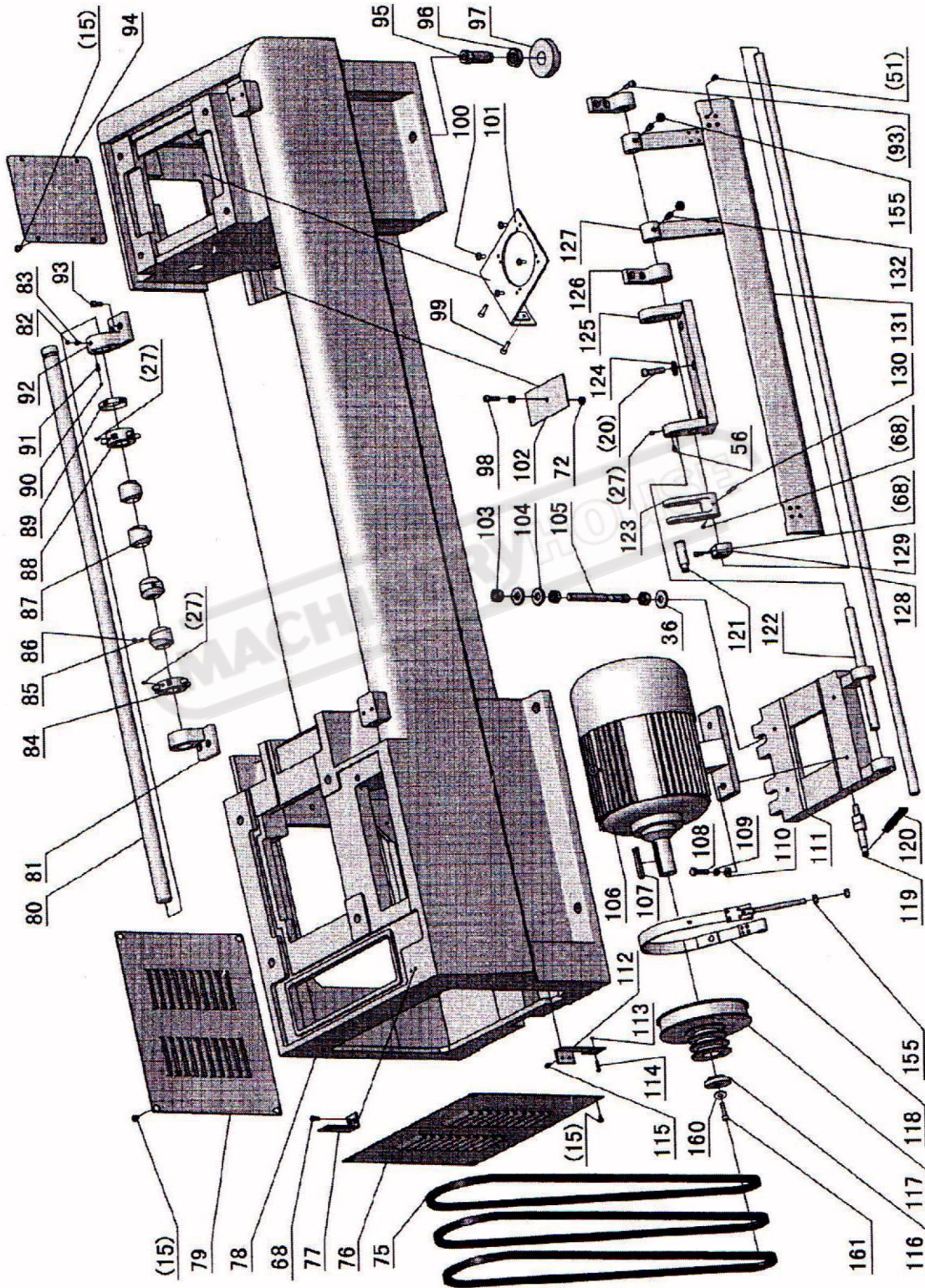
CL-560 BED PARTS DIAGRAM





OPERATION MANUAL

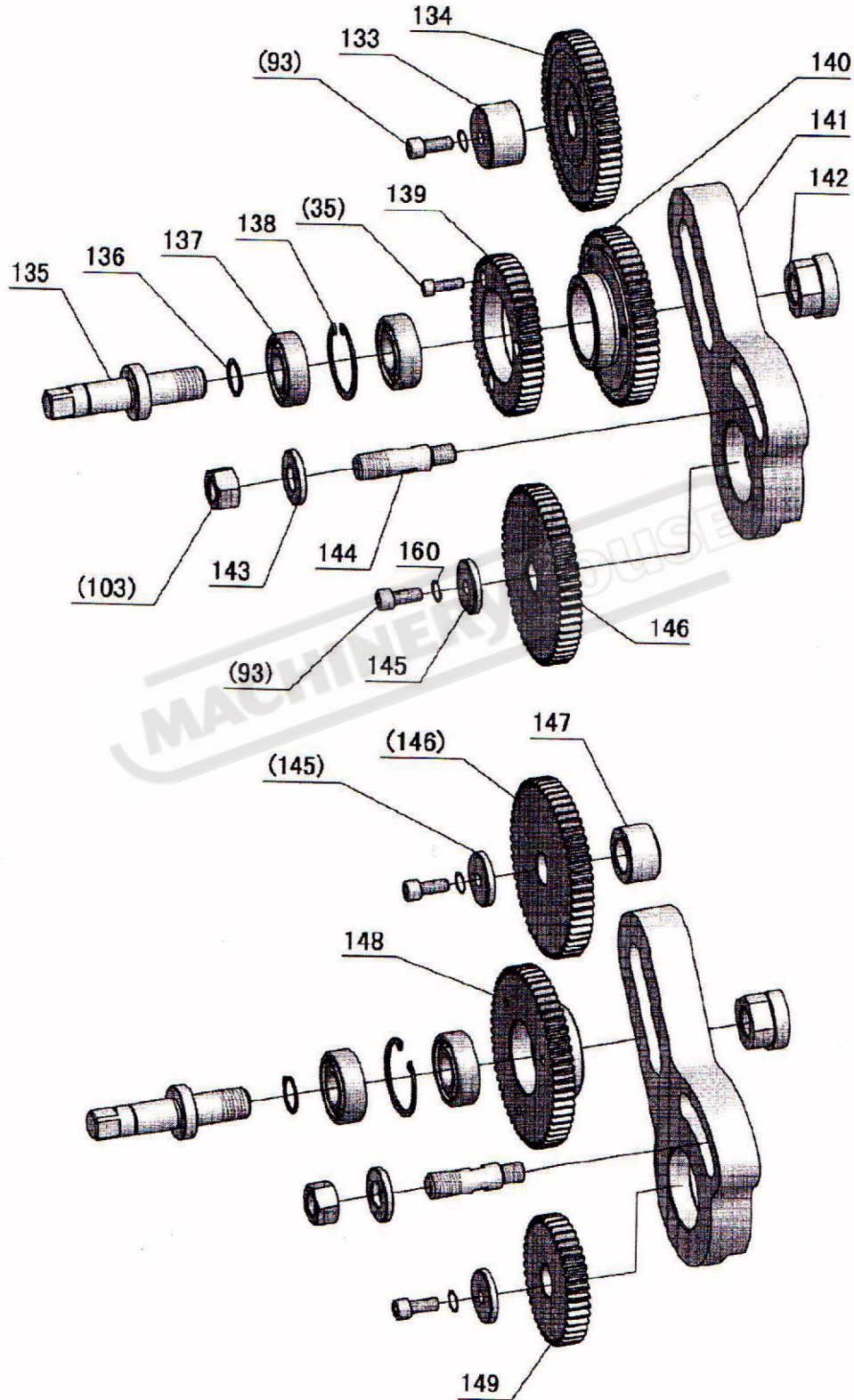
CL-560 BED PARTS DIAGRAM Cont.





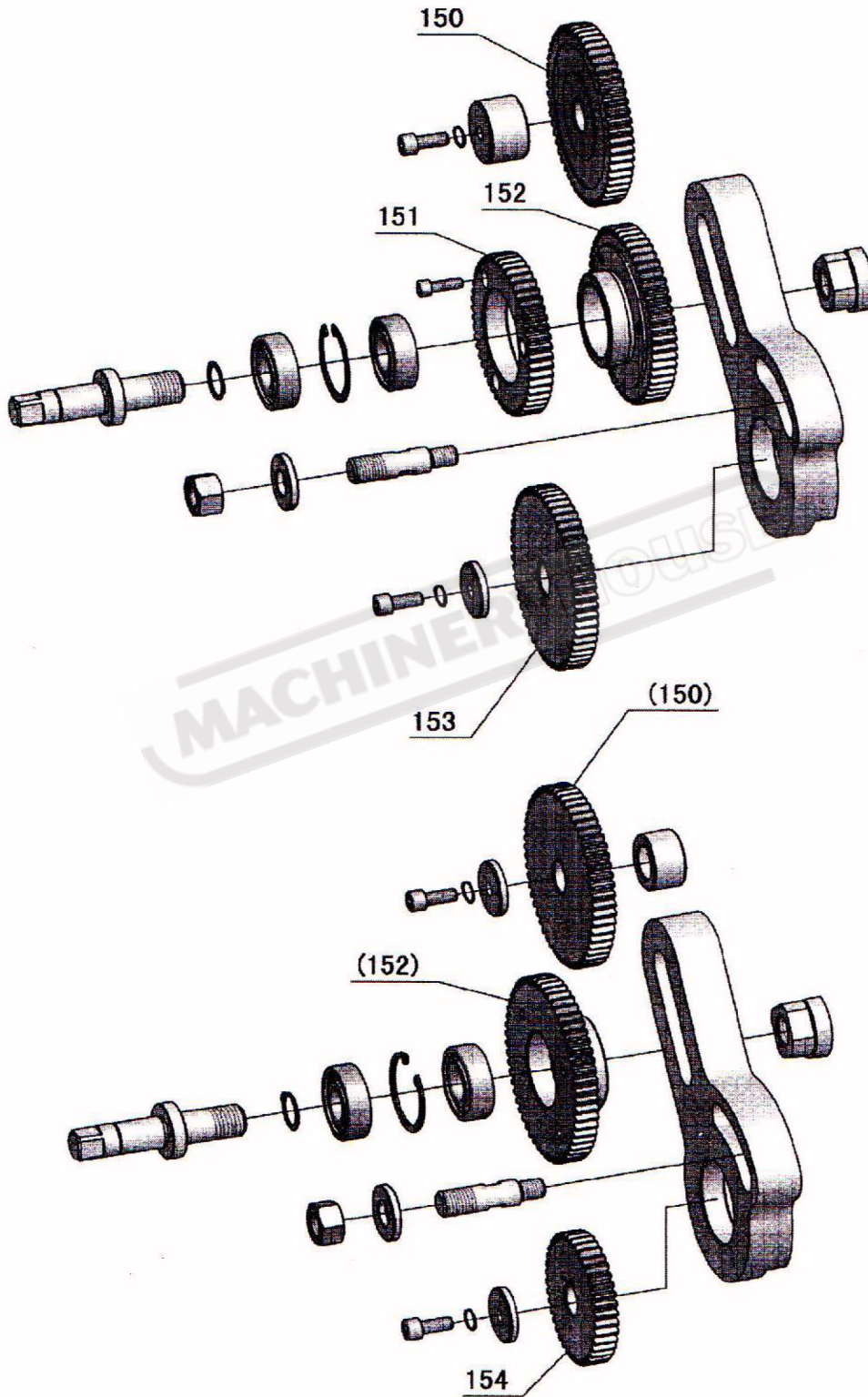
OPERATION MANUAL

CL-560 BED PARTS DIAGRAM Cont.



OPERATION MANUAL

CL-560 BED PARTS DIAGRAM Cont.



OPERATION MANUAL

CL-560 BED PARTS LIST

No	Part No.	Item	Specification	1Qty.
1	CR6256-06-24	Oil Guard		1
2	GB70-85	Screw	M6x10	2
3	CR6241-08-21	Plate		1
4	CR6251-08-10	Screw		1
5	CR6241-08-18	Screw		1
6	CR6241-08-17	Nut		1
7	GB80-85	Screw	M6x8	1
8	CR6256T-08-01	Cover-End		1
9	CR6251-08-03	Plate (Metric)		1
9	CR6251-08-03Y	Plate (Inch)		2
10	CR6241-08-23	Cover		2
11	GB/T70.2-2000	Screw	M6x10	1
12	GB7277-87	Hinge	100	2
13	GB68-85	Screw	M5x10	12
14	CR6251T-06-09	Stand		1
15	GB818-85	Screw	M6x10	12
16	CR6251T-06-02	Bed Gap		1
17	GB118-86	Pin	10x70	2
18	GB73-85	Screw	M6x10	2
19	GB70-85	Screw	M12x50	4
20	GB70-85	Screw	M10x40	7
21	CR6251T-06-06	Guard Assembly 1000		1
2 1	CR6251T-06-06-1	Guard Assembly 1500		1
21	CR6251T-06-06-2	Guard Assembly 2000		1
21	CR6251T-06-06-3	Guard Assembly 3000		1
22	GB70-85	Screw	M8x16	4
23	CR6251T-06-01	Bed 1000		1
23	CR6251T-06-01-1	Bed 1500		1
23	CR6251T-06-01-2	Bed 2000		1
23	CR6251T-06-01-3	Bed 3000		1
24	GB70-85	Screw	M16x40	4
25	CR6241-06-21	Plug-Oil inlet		1
26	CR6251-06-16	Bracket		1
27	GB80-85	Screw	M6x8	4
28	CR6251-06-13A	Nut		1
29	CR6241-06-70	Cover		1
30	GB818-85	Screw	M5x8	2
31	CR6241-06-19	Plug		1
32	CR6241-06-20	Plug		1
33	GB118-86	Taper Pin	8x50	2

OPERATION MANUAL

CL-560 BED PARTS LIST Cont.

No	Part No.	Item	Specification	1Qty.
34	GB70-85	Screw	M16 x 40	6
35	GB70-85	Screw	M6 x 20	1
36	GB93-87	Washer	16	2
38	GB70-85	Screw	M8 x 20	2
39	CR6241-06-17	Protection Cover		1
40	GB879-86	Spring Pin	5 X 30	6
41	GB70-85	Screw	M6 x 25	8
42	CR6251-06-14	Rack (Left Hand)		1
42	CR6241-06-12A	Rack		1
42	CR6241-06-12B	Rack		1
43	GB301-84	Thrust Bearing	8105	2
44	CR6251-06-17	Bush		1
45	CR6241-06-23	Spacer		1
46	CR6241-06-16	Bush		1
47	CR6241-06-55	Shaft Sleeve		1
48	CR6241-06-57	Washer		1
49	Q81-1	Spring	1x6x20	3
50	CR6241-06-58	Switch Bracket		1
51	GB70-85	Screw	M6x16	12
52	CR6241-06-54	Pin		1
53	CR6241-06-53	Bracket		1
54	GB879-86	Spring Pin	3x20	1
55	CR6241-06-56	Lever		1
56	GB70-85	Screw	M5x10	2
57	GB878-86	Pin	M12 x 50	1
58	CR6241-06-05	Cover		4
59	CR6251T-06-10	Seat -Pilot Light		1
60	GB70-85	Screw	M6x70	2
61	GB70-85	Screw	M4x40	2
62	GB70-85	Screw	M8x25	2
63	CR6251T-06-05	Seat-Switch		1
64	CR6251-06-19	Started Rod 1000		1
64	CR6251-06-19-1	Started Rod 1500		1
64	CR6251-06-19-2	Started Rod 2000		1
64	CR6251-06-19-3	Started Rod 3000		1
65	CR6251-06-18	Feed Rod 1000		1
65	CR6251-06-18-1	Feed Rod 1500		1
65	CR6251-06-18-2	Feed Rod 2000		1
65	CR6251-06-18-3	Feed Rod 3000		1
66	CR6251-06-15	Lead Screw 1000 (Metric)		1

OPERATION MANUAL

CL-560 BED PARTS LIST Cont.

No	Part No.	Item	Specification	1Qty.
66	CR6251-06-15-1	Lead Screw 1500 (Metric)		1
66	CR6251-06-15-2	Lead Screw 2000 (Metric)		1
66	CR6251-06-15-3	Lead Screw 3000 (Metric)		1
66	CR6251-06-15Y	Lead Screw 1000 (Inch)		1
66	CR6251-06-15-1Y	Lead Screw 1500 (Inch)		1
66	CR6251-06-15-2Y	Lead Screw 2000 (Inch)		1
66	CR6251-06-15-3Y	Lead Screw 3000 (Inch)		1
67	CR6241-06-68	Cam		1
68	GB70-85	Screw	M6x12	5
69	GB827-86	Rivet	2x5	12
70	CR6241-06-64	Plate		1
71	GB79-85	Screw	M8x30	2
72	GB6170-86	Nut	M8	4
73	Z16-1	Lever Bush	M12x40	1
74	CR6241-06-26	Bush		1
75	GB1171-74	Belt	B75(60Hz)	3
75	GB1171-74	Belt	B76(50Hz)	3
76	CR6251T-06-04	Cover Motor Seat		1
77	CR6241-08-19	Limited Switch Seat		1
78	CR6251T-06B-03	Stand 1000		1
78	CR6251T-06B-03-1	Stand 1500		1
78	CR6251T-06B-03-2	Stand 2000		1
78	CR6251T-06-03-3	Stand 3000		1
79	CR6241-06-36	Cover Motor Seat		1
80	CR6251-06-20	Auto Stopping Rod 1000		1
80	CR6251-06-20-1	Auto Stopping Rod 1500		1
80	CR6251-06-20-2	Auto Stopping Rod 2000		1
80	CR6251-06-20-3	Auto Stopping Rod 3000		1
81	CR6241-06-06	Bracket		1
82	GB79-85	Screw	M8x12	1
83	GB77-85	Screw	M8x6	1
84	CR6241-06-30	Star Type Ring		1
85	CR6241-06-34	Shoe Clamp		5
86	GB77-85	Screw	M8 x 6	5
87	CR6241-06-33	Cam		4
88	CR6241-06-31	Star Type Ring		1
89	CR6241-06-32	Plate		1
90	GB308-84	Steel Ball	6	1
91	Q81-1	Spring	0.9x5x25	1
92	CR6241-06-07	Bracket		1

OPERATION MANUAL

CL-560 BED PARTS LIST Cont.

No	Part No.	Item	Specification	1Qty.
93	GB70-85	Screw	M8x20	10
94	CR6241-06B-38	Pump Hole Cover		1
96	CR6241-06-37	Bolt		6
96	GB6173-86	Nut	M24x2	6
97	CR6241-06-59	Block-Leveling		6
98	GB70-85	Screw	M8x30	1
99	GB70-85	Screw	M6x25	2
100	GB818-85	Screw	M6x10	4
101	CR6241-06-65	Coolant Pump Seat		1
102	CR6251-06-28	Screen		1
103	GB6170-86	Nut	M16	7
104	GB6170-86	Washer		4
105	CR6241-06-49	Screw		2
106	Y132M-4	Motor	7.5kW	1
107	GB1096C-79	Key	10x70	1
108	GB5782-86	Bolt	M10x35	4
109	GB93-87	Spring Washer	10	4
110	GB97.1-86	Washer	10	4
111	CR6241-06-39	Motor Seat		1
112	CR6241-06-66	Limited Switch Seat		1
113	GB6170-86	Nut	M4	2
114	GB818-85	Screw	M4x35	2
115	GB70-85	Screw	M5x8	3
116	CR6241-06-09	Washer		1
117	CR6241-06-08-1	Belt Pulley	60Hz	1
117	CR6241-06-08	Belt Pulley	50Hz	1
118	CR6241-06-50	Belt-Brake		1
119	CR6241-06-51	Shaft		1
120	Q81-3	Spring	2x16x115	1
121	CR6241-06-42	Shaft		1
122	CR6241-06-47	Shaft		1
123	CR6241-06-43	Arm Brake		1
124	CR6241-06-67	Washer		3
125	CR6241-06-45	Bracket-Motor Seat		1
126	CR6241-06-40	Bracket		2
127	CR6241-06-46	Arm		2
128	CR6251-06-22	Shaft 1000		1
128	CR6251-06-22-1	Shaft 1500		1
128	CR6251-06-22-2	Shaft 2000		1
128	CR6251-06-22-3	Shaft 3000		1

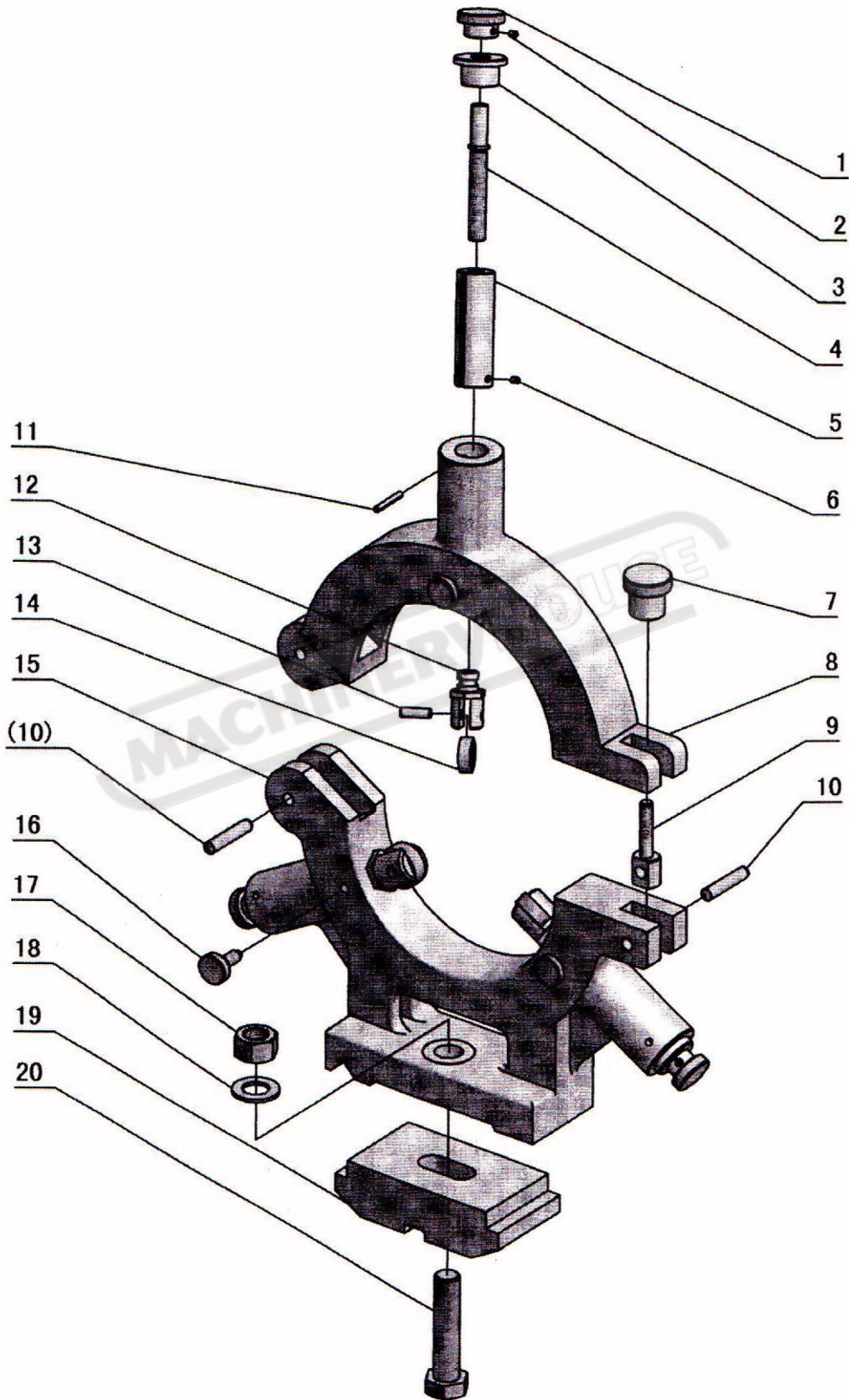
OPERATION MANUAL

CL-560 BED PARTS LIST Cont.

No	Part No.	Item	Specification	1Qty.
129	CR6241-06-41	Cam		1
130	GB879-86	Spring Pin	5x40	1
131	CR6251-06-21	Pedal-Brake 1000		1
131	CR6251-06-21-1	Pedal-Brake 1500		1
131	CR6251-06-21-2	Pedal-Brake 2000		1
131	CR6251-06-21-3	Pedal-Brake 3000		1
132	GB79-85	Screw	M10x25	2
133	CR6241-08-02	Spacer		1
134	CR6256-08-02	Gear	55TxM2.5	1
135	CR6241-08-04	Bolt		1
136	GB894.1-86	Snap Ring	20	1
137	GB278-89	Ball Bearing	180204	2
138	GB893.1-86	Snap Ring	47	1
139	CR6256-08-08	Gear	49TxM2.5	1
140	CR6256-08-09	Gear	54TxM2.5	1
141	CR6251-08-06	Bracket		1
142	CR6241-08-05	Nut		1
143	CR6241-08-13	Washer		1
144	CR6251-08-04	Bolt		1
145	CR6251-08-07	Spacer		1
146	CR6256-08-05	Gear	56T x M2.5	1
147	CR6241-08-12	Spacer		1
148	CR6256-08-09Y	Gear	57T x M2.5	1
149	CR6256-08-11	Gear	40T x M2.5	1
150	CR6256-08-02Y	Gear	48T x M2.5	1
151	CR6256-08-12Y	Gear	66T x M2.5	1
152	CR6256-08-09Y	Gear	57T x M2.5	1
153	CR6256-08-11Y	Gear	42T x M2.5	1
154	CR6256-08-05Y	Gear	57T x M2.5	1
155	GB6170-86	Nut	M10	4
156	GB73-85	Screw	M5x8	2
157	GB118-86	Pin	8x40	2
158	GB97.1-85	Washer	8	4
159	GB70-85	Screw	M4x8	2
160	GB93-87	Spring Washer	8	3
161	GB70-85	Screw	M8x40	1
162	CR6241-06-24	Plate		1

OPERATION MANUAL

CL-560 FIXED STEADY REST DIAGRAM



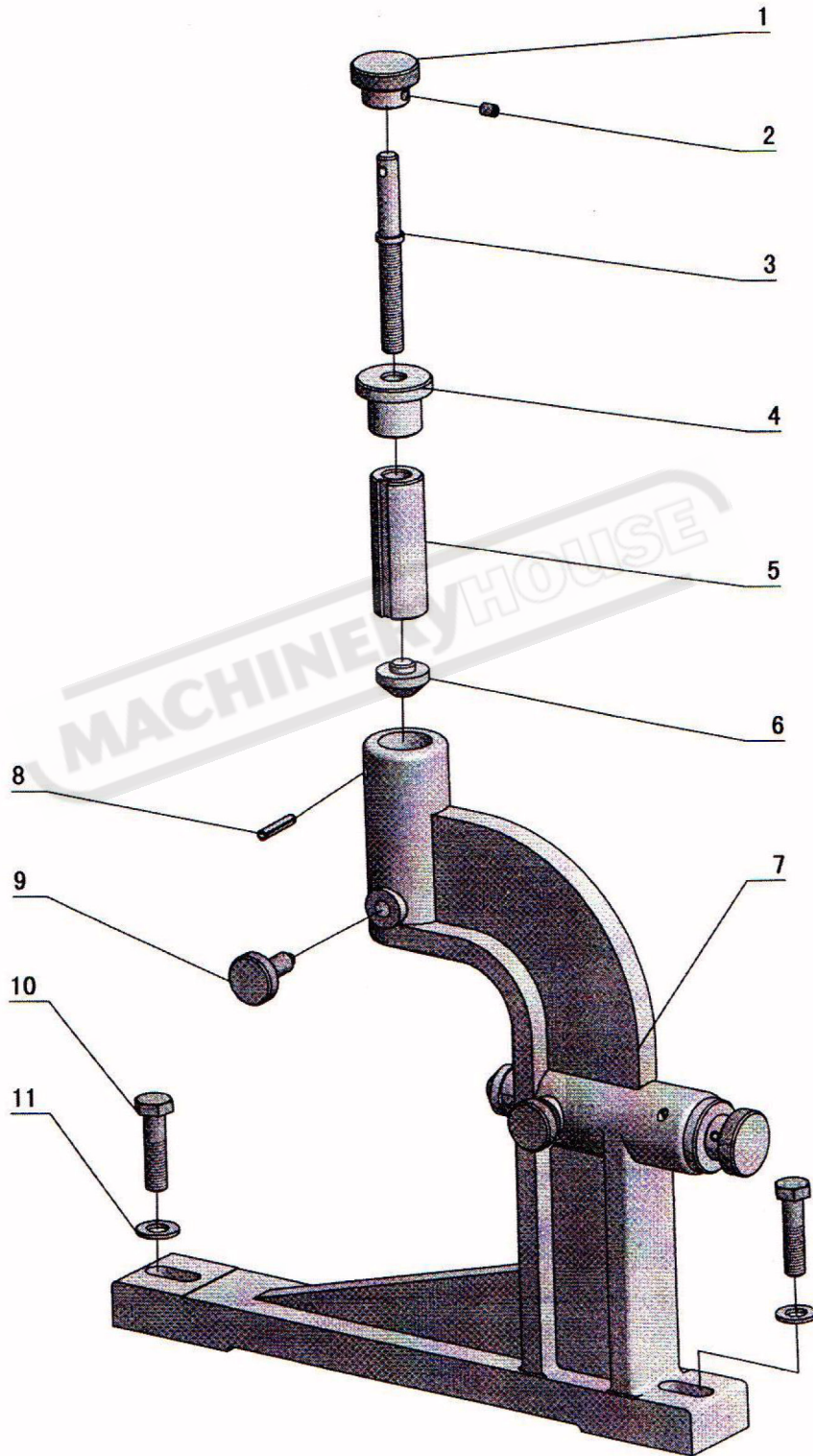
OPERATION MANUAL

CL-560 FIXED STEADY REST PARTS LIST

No	Part No.	Item	Specification	1Qty.
1	CR6251-10-08	Rotate Handle		3
2	GB78-85	Screw	M6x8	3
3	CR6251-10-07	Bush		3
4	CR6251-10-05	Screw Shaft		3
5	CR6251-10-04	Sleeve		3
6	GB77-85	Screw	M6x8	3
7	CR6251-10-09	Handle		1
8	CR6251-10-06	Upside Of Steady Rest		1
9	CR6251-10-10	Clamping Screw		1
10	GB119-86	Pin	12x60	2
11	GB879-86	Spring Pin	5x50	3
12	CR6251-10-02	Support Shaft		3
13	CR6251-10-03	Pin		3
14	GB279-88	Ball Bearing	180300	3
15	CR6256-10-01	Downside Of Steady Rest		1
16	CR6241-10-11	Limited Screw		3
17	GB55-88	Nut	M20	1
18	GB97.2-85	Washer	20	1
19	CR6251-10-12	Clamping Bracket		1
20	GB37-88	Bolt	M20 x 110	1

OPERATION MANUAL

CL-560 FOLLOW REST PARTS DIAGRAM





OPERATION MANUAL

CL-560 FOLLOW REST PARTS LIST

No	Part No.	Item	Specification	1Qty.
1	CR6241-10-12	Rotate Handle		2
2	GB78-85	Screw	M6x8	2
3	CR6241-10-09	Screw Shaft		2
4	CR6241-10-06	Bush		2
5	CR6241-10-10	Sleeve		2
6	CR6241-10-13	Bracket		2
7	CR6256-10-11	Follow Rest		1
8	GB879-86	Spring Pin	5x26	2
9	CR6241-10-11	Limited Screw		2
10	GB5782-86	Bolt	M10x40	2
11	GB97.1-85	Washer	10	3

MACHINERYHOUSE